

SLENDER MORRIS FURNISHINGS

SINCE 1948

IIIV

— INTERIOR TEXTILES —

CURTAINS GUIDE

PRICES INCLUDE FABRIC & MAKE-UP OF CURTAINS

For More information visit :

www.slendermorris.com

Curtain Guide

STEP ONE: Choose your fabric

Once your customer has selected the fabric, use our Fabric Schedule for information on which bracket the fabric sits in.

Prices are outlined for every fabric in each Pricing Schedule based on width, drop, lining and header style.

STEP TWO: Choose from a range of heading styles

PENCIL PLEAT:

All pencil pleat headers use premier Rufflette Tape as standard to ensure premium quality. We offer both undrawn or hooked and drawn services (curtains are ready to hang).



EYELETS:

Eyelets allow fabric to extend 4cm above pole (3cm of fabric and 1cm for the top of the eyelet). Choose from a variety of Eyelet sizes - 25mm, 40mm (our standard), 50mm and 66mm. Choose from a variety of eyelet colours; Nickel Plate, Old Nickel, Clean Gold, Deep Black, Satin Nickel, Old Brass and Old Copper.



PINCH PLEAT:

Pinch pleats are sewn into curtain heading and fixed into position. All pinch pleats are supplied with adjustable slider hooks.



GOBLET:

The goblets are sewn in and fixed with wadding to ensure the shape holds. All goblet headers are supplied with adjustable slide hooks.



WAVE:

We offer two types of header types - Silent Gliss (works with the Silent Gliss system) and standard (works with any other system).



VOILES:

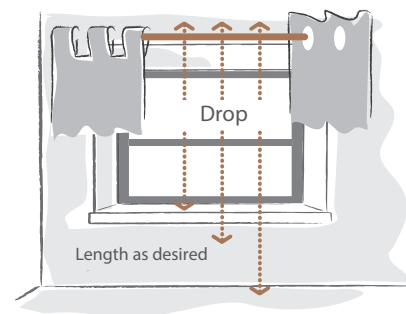
Choose from several header types - pencil pleat, wave (silent gliss and standard), pinch pleat, slot top and eyelet. Choose from several styles of hems - un-weighted, weighted with penny weights and continuous lead weighted. Voiles are provided with double fullness on pencil pleat and eyelet headers.



STEP THREE: Measuring Up

CURTAIN DROP

Sill Length - curtains should finish 1/2" above the sill
Below sill length - curtains should finish 6" below the sill
Floor length - curtains should finish 1/2" above the floor



CURTAIN TRACK

Width: Measure from one end of the track to the other.

Length: Measure the length from the top of the track to the point where you would like the curtains to finish.



CURTAIN POLE WITH RINGS

Width: Measure the length of the pole between the 2 finials (pole ends)

Length: Measure from the bottom of the ring to ensure that the pole remains visible once the curtains are hung.



EYELET CURTAINS

Width: Measure the length of the pole between the 2 finials (pole ends)

Length: Measure from the top of the pole, and add an additional 3cm to your measurements.

Please note; If ordering Eyelet Curtains please specify the colour of the eyelets, finishes include; Nickel Plate, Old Nickel, Clean Gold, Deep Black, Satin Nickel, Old Brass and Old Copper

STEP FOUR: Choose a lining

- Polycotton
- Cotton sateen (additional cost)
- Blackout (additional cost)
- Bonded interlined (additional cost)

Please note; there are a small selection of fabrics that we recommend the use of blackout lining, due to the nature of the fabric. These fabrics are marked with an * in our Fabric Schedule (and we will upgrade your lining to blackout free of charge).

STEP FIVE: Finishing touches

VALANCES:

Choose from a variety of styles - Goblet, pinch pleat and pencil pleat.
Finish: straight or shaped (available on request) with up to a 21" drop as standard.



CUSHION COVERS:

As standard our cushion covers are 18 inches. For bespoke sizes please contact Customer Services. We offer both plain and self-piped cushions fitted with a 36cm plastic zip.



TIEBACKS:

Our tie backs are crescent shaped and are made to fit the width of the individual curtain. Choose from plain tie backs or self-piped tiebacks. There is a brass D ring sewn into each end of the tieback for hanging. Silver rings are available on request.



STEP SIX: Place your order

Email your order to orders@slendermorris.com where we will process your order, and deliver it within 3 weeks (subject to stock availability)

Additional Information:

- When ordering wave curtains and the track size is supplied, the number of gliders on the track is also required.
- When ordering double or triple pinch pleat curtains and the track size is supplied a 7cm allowance is added on for returns, overlaps and spring backs during production. Please state if a specific size is required.
- All curtain hems are weighted and have mitred bottom corners as standard (the weight used differs dependant on the curtain fabric). Lined curtains are bag linked (sewn into the curtain along the heading and down the sides).
- Buttons are charged at \$5/button.
- Hooked and drawn pencil pleat curtains are offered at \$7.5/width

STEP ONE: Choose your fabric

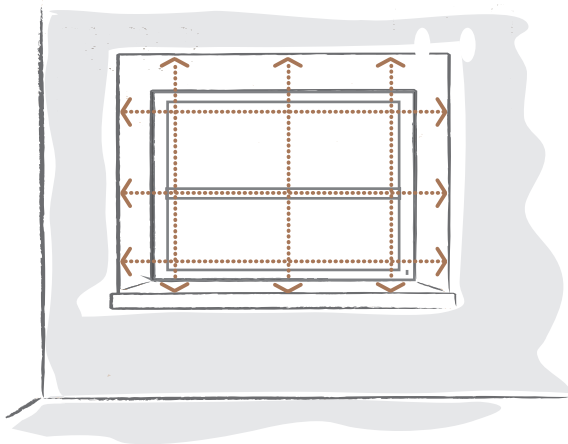
Once your customer has selected the fabric, use our Fabric Schedule for information on which bracket the fabric sits in.

STEP TWO: Measuring Up

Start by choosing whether you would like the blind to be fitted either on the inside or on the outside of the recess.

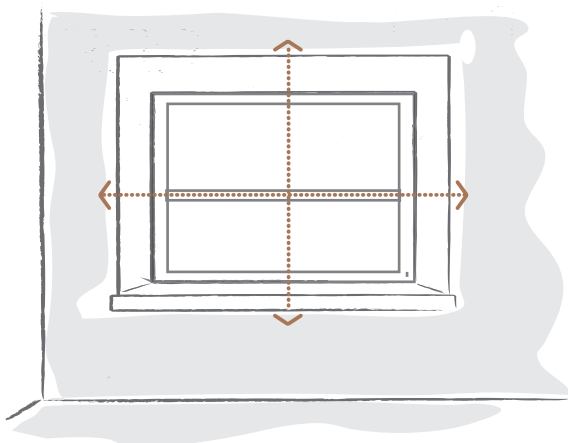
We advise that you check the width at the top and bottom of the window, as they may differ.

INSIDE THE RECESS



Measure the height and width of the window at the top, middle and bottom and order the smallest recess width size to ensure the blind does not catch when fully extended.

OUTSIDE THE RECESS



Measure the height and width of the window at the top, middle and bottom. Add 10cm to the largest recess width measurement to ensure that the window is completely covered by the blind.

Please note; When ordering roman blinds please specify the top of the fitting height (to comply with Child Health & Safety Legislation).

STEP THREE: Choose a lining

- Polycotton
- Cotton sateen (additional cost)
- Blackout (additional cost)
- Bonded interlined (additional cost)

Please note; There are a small selection of fabrics that we recommend the use of blackout lining, due to the nature of the fabric. These fabrics are marked with an * in our Fabric Schedule (and we will upgrade your lining to blackout free of charge).

STEP FOUR: Choose the chain colour

Choose from 3 chain colours;

- White
- Silver
- Gold

When ordering please specify whether the chain is to be positioned on the left or right of the blind.

STEP FIVE: Place your order

Email your order to orders@slendermorris.com where we will process your order, and deliver it within 3 weeks (subject to stock availability)

Additional Information:

- When ordering roman blinds please state whether your blind should be face fix or top fix.
 - To ensure the correct fit please state whether the blinds are blind size or recess (0.5cm is deducted from the width for recess blinds as standard. If additional deductions are required this must be stated).
 - Our standard stitching for blinds is stab stitch, for lock stitching please contact Customer Services for a quote.
-

SLENDER MORRIS FURNISHINGS

SINCE 1948

IIIV

— INTERIOR TEXTILES —

CURTAINS GUIDE

PRICES INCLUDE FABRIC & MAKE-UP OF CURTAINS

For More information visit :

www.slendermorris.com