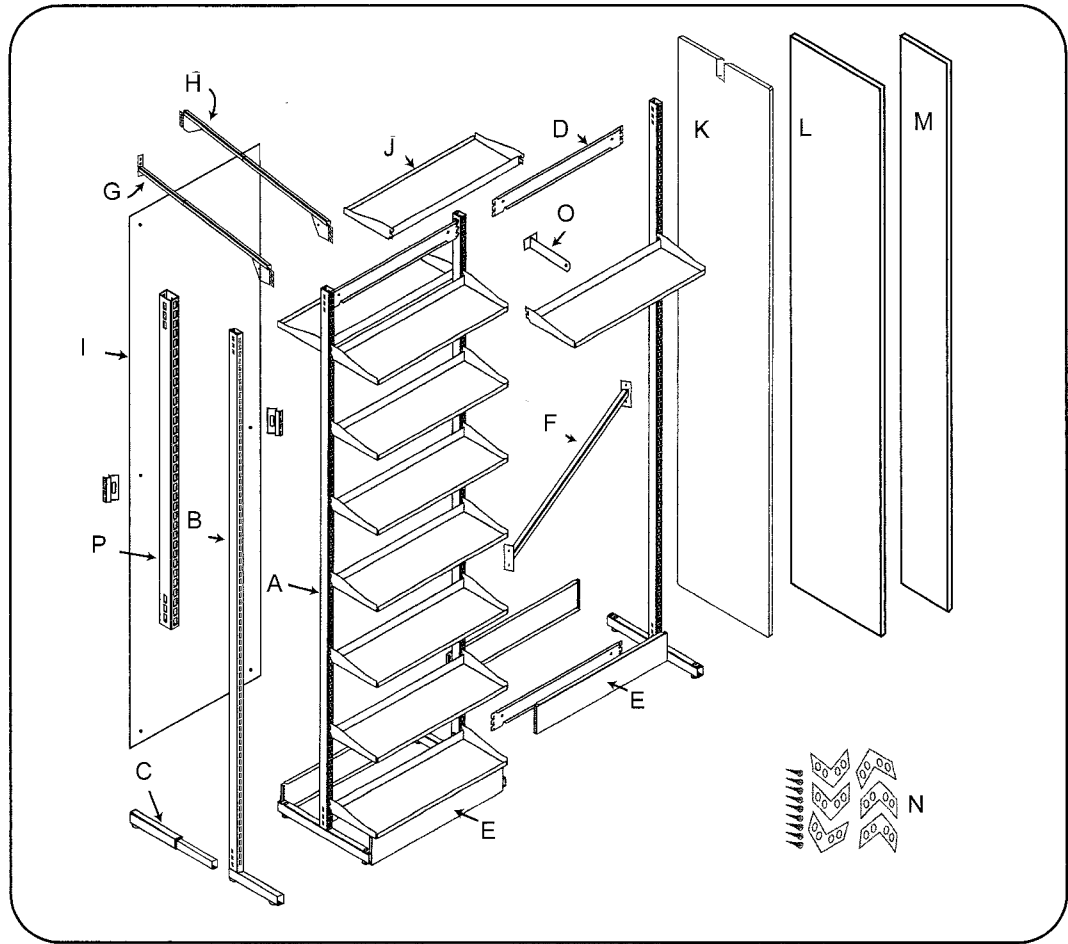
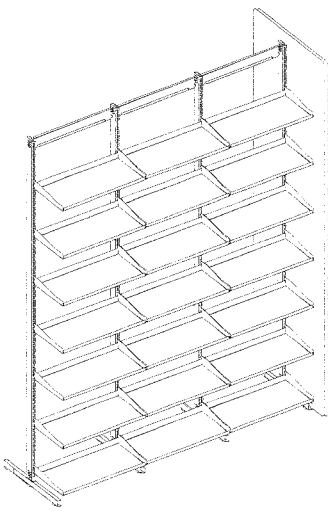


PARTS IDENTIFICATION



EXAMPLE ONLY!
Do not use for installation.

WALL STRETCHERS and AISLE STRETCHERS

- A. TRXUG84 - GONDOLA UPRIGHT
- B. TRXUW84 - WALL UPRIGHT
- C. TRXUWSE - WALL UPRIGHT SHOE
- D. TRXSTB16 or TRXSTB32 - BAY STRETCHER
- E. TRXK16 or TRXK32 - KICKPLATE
- F. TRXD16 or TRXD32 - DIAGONAL STABILIZER
- G. TRXSTW3054 - WALL STRETCHER
- H. TRXSTA3054 - AISLE STRETCHER
- I. TRXB1684 or TRXB3284 - BACK WITH STIFFENER CLIPS
- J. TRXSF1608 or TRXSF3208 - SHELF
- K. TRXEPS1884 - DOUBLE BAY SLOTTED END PANEL
- L. TRXEP1884 - DOUBLE BAY END PANEL
- M. TRXEP1084 - SINGLE BAY AND WALL END PANEL
- N. TRXEPHC - END PANEL HARDWARE KIT FOR BUILDING CORNERS
- O. TRXSFD08 - SHELF DIVIDER
- P. TRXUT(NH) - UPRIGHT TUBE

