

BROSHUIS
HOLLAND

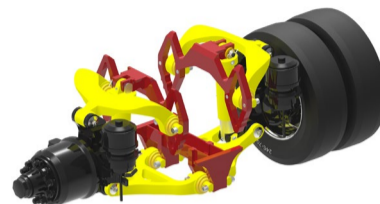
Industrieweg 22
8263 AD Kampen
Nederland

T +31 (0)88 3872 800
E contact@broshuis.com
W www.broshuis.com

CONVENTIONAL



SL2



PL2



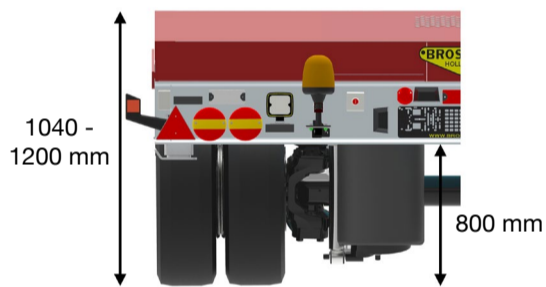
Driving height min.
Ground clearance min.
(under spine)



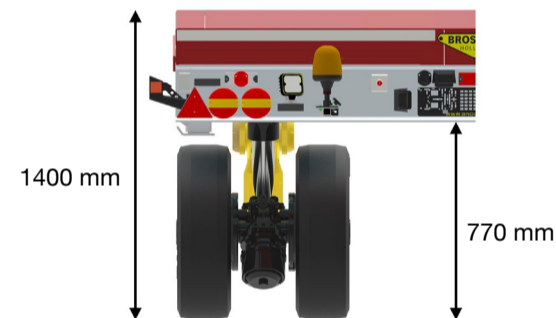
Height depending on number of axles



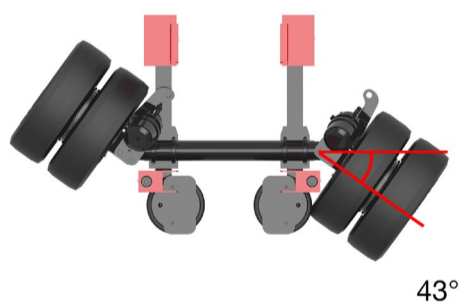
Driving height max.
Ground clearance max.
(under spine)



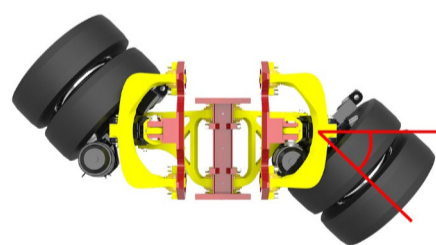
Height depending on number of axles



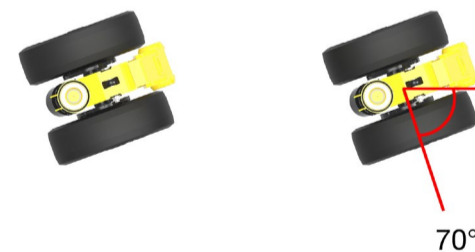
Steering angle



43°



59°



70°

Capacity technical

12 T

14 T

14 T

Dutch permits

10 T

10 T

12 T

German permits

10 T

12 T

12 T

Other countries

Between 10 - 16 T

Between 10 - 16 T

Between 10 - 16 T

Stability

++

+++

+

Alignment effected by driving height

Effected

No effect

No effect

Tyre exchange

Easy

Easy

Hard

Maintenance cost

Low

Low / Medium

Medium

SAFETY

QUALITY

INNOVATION

Background information: info.broshuis.com/axles