

amerec STEAM GENERATOR SIZING & ROUGH-IN GUIDE

AK-AX Model	Steam Room cu ft [cu m]		VAC	Watts	1 Phase		3 Phase		Shipping Weight lb (kg)
	Min.	MAX.			Amps	Breaker	Amps	Breaker	
4.5	60 [1,70]	90 [2,55]	240	4500	19	30	11	15	35 [16]
4.5	60 [1,70]	90 [2,55]	208	4500	22	30	12	20	35 [16]
6.0	80 [2,27]	150 [4,25]	240	6000	25	40	14	20	35 [16]
6.0	80 [2,27]	150 [4,25]	208	6000	29	40	17	30	35 [16]
7.5	100 [2,83]	200 [5,66]	240	7500	31	40	18	30	35 [16]
7.5	100 [2,83]	200 [5,66]	208	7510	36	50	21	30	35 [16]
9.0	150 [4,25]	300 [8,50]	240	9000	38	50	22	30	35 [16]
9.0	150 [4,25]	300 [8,50]	208	9000	43	60	25	40	35 [16]
11	200 [5,66]	400 [11,3]	240	11000	46	60	26	40	35 [16]
11	200 [5,66]	400 [11,3]	208	11250	18 & 36	30 & 50	31	40	35 [16]
14	350 [9,91]	550 [15,6]	240	14000	21 & 38	30 & 50	34	50	35 [16]
14	350 [9,91]	550 [15,6]	208	13750	24 & 42	30 & 60	38	50	35 [16]

To calculate the generator size required, multiply the length x width x height and surface materials of the steam room. Maximum recommended ceiling height is 8 feet [2,4 m]. Note: *Ceiling Heights over 8 feet [2,4 m] may result in temperatures too hot near the ceiling or uncomfortably cool in the seating area.*

For rooms made of natural stone (such as Marble, Granite, Travertine, Slate, and Porcelain tile), multiply the cubic volume by 1.75 (stone requires more power to heat)

For rooms exceeding 550 cubic feet [15,6 cu m], generators may be ganged together to achieve required capacity.

Each generator will require its own power source as described in the chart above.

Example: Room size 750 cu ft [21,2 cu m], power available 240V 1 phase: Use two 11kW generators.
Requires one 60A circuit for each 11kW steamer (total of two circuits)

Example: Room size 925 cu ft [26,2 cu m], power available 240V 1 phase: Use one 11kW generator (requires one 60A circuit) plus one 14kW generator (requires 2 circuits, one 30A + one 50A)

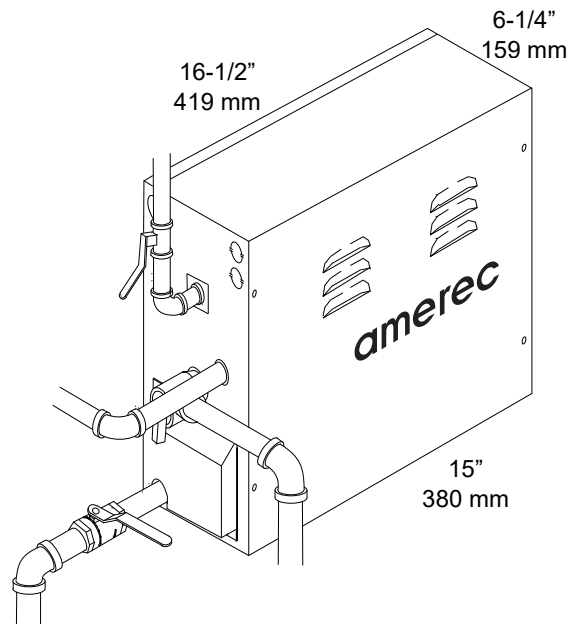
One control required, regardless of quantity of generators. Additional controls may be connected

AK steamers are compatible with Amerec's K60 and KT60 time and temperature controls.

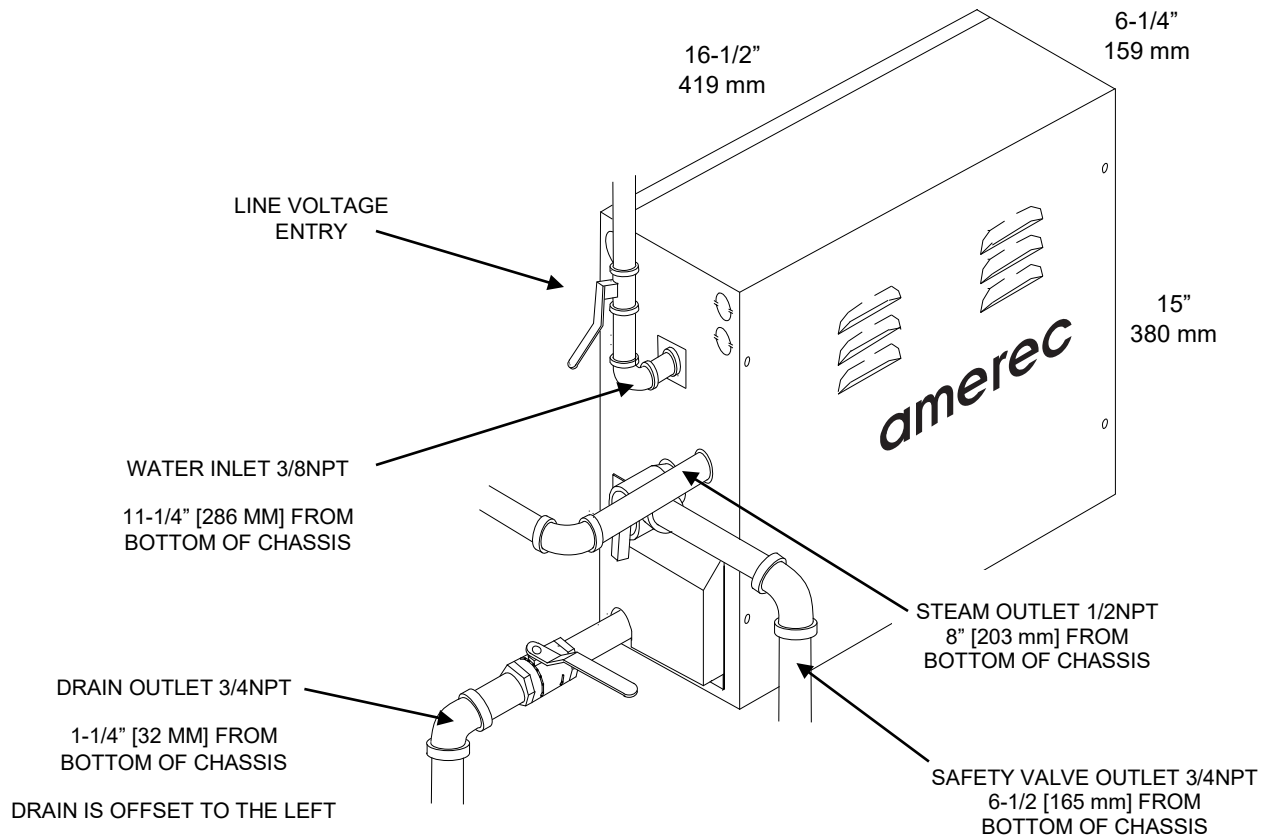
AX steamers are compatible with Amerec's Elite Touch Screen full function control or the Pure 2.0 time and temperature control.

amerec

P.O. Box 2258
Woodinville, WA 98072
Phone 1-800-363-0251
1-425-951-1120
FAX 1-425-951-1130
eMail Support@amerec.com



amerec STEAM GENERATOR SIZING & ROUGH-IN GUIDE



*Recommended: **Provide unions on all plumbing fitting lines for easier service disconnection.**

Mount in dry, well ventilated area, not exposed to freezing temperatures.

Mount generator level, on the wall or on its base.

Provide adequate access for potential service needs.

Run 3/8" copper cold water line. Install shut off valve but **do not** use a saddle valve.

Run 1/2" copper steam line, not to exceed 20 ft (6 m) in length. Slope pipe to avoid condensation build up. Do not create traps! Terminate pipe in steam room 18" (460 mm) above finished floor, or 12" (305 mm) above rim of the tub if in a bathtub enclosure.

Run 3/4" (19 mm) copper drain line, sloping pipe to gravity flow drain. Do not terminate into the steam room!

Run 3/4" (19 mm) copper pressure relief line and terminate in accordance with local and national codes.

Follow local plumbing and electrical codes.

Not intended for use as installation instructions.

Please refer to AK or AX installation instructions for further details.

amerec

P.O. Box 2258

Woodinville, WA 98072

Phone 1-800-363-0251

1-425-951-1120

FAX 1-425-951-1130

eMail Support@amerec.com