

helo

COMMERCIAL

DRAWING #

CC46

INVOICE #

COMPANY:

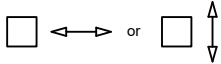
JOB NAME:

WOOD TYPE: CEDAR

T&G DIRECTION:

ROOM HEIGHT: 84"

JOIST DIRECTION:



SQ. FOOTAGE: 23

Door Size/Style AG 24X80

Door Jamb Width _____

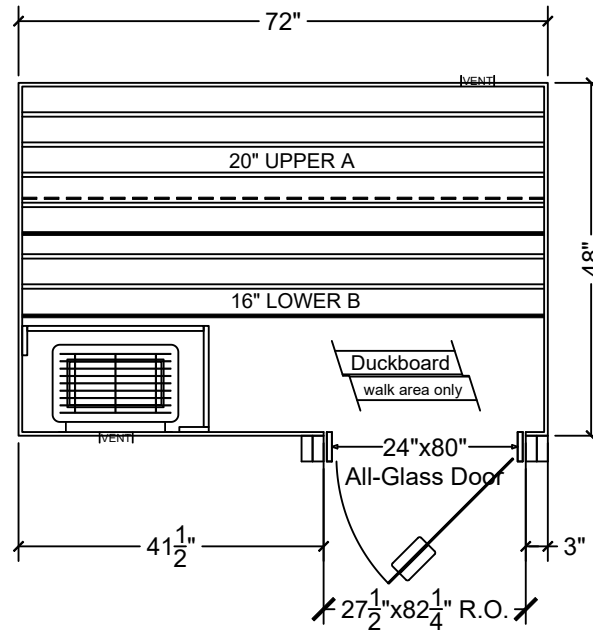
Interior Upgrade NONE

Htr. Size/Model _____

Control Type _____

Voltage/Phase _____

Lighting Option _____



Customer Approval: _____

Dimensions are stud to stud, unless otherwise noted

DATE: 2020

custom cut sauna