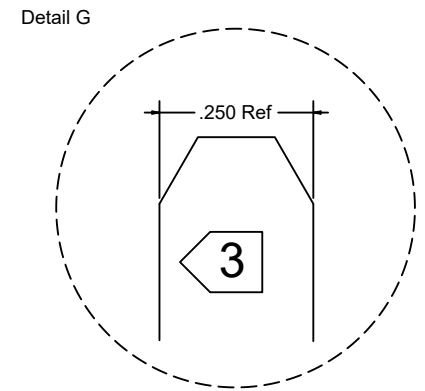
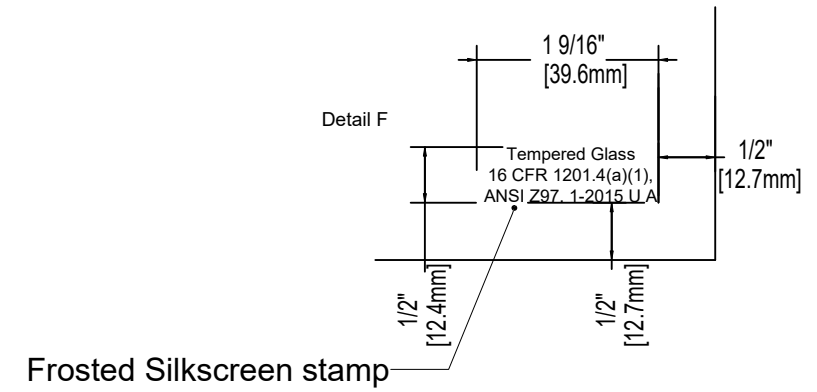


REVISIONS		
REV	DESCRIPTION	DATE
E	UPDATED DRAWING & FORMAT	6-19-12
F	UPDATED DETAIL F & FORMAT	12-7-17
G	DIMENSION CLARIFICATION & CLEANUP	1-30-18



- Notes:**
- 1. Tempered Glass, Bronze Tint
 - 2. Stencil "Tempered Glass" Logo as close to lower right corner as possible (2nd surface). (Font to be SanSerif Arial or equivalent, all letters to be clearly legible.) (Detail F)
 - 3. Tempered Flat Polish Edge, 4 Sides (Detail G)

Tempered Hole 3 D

Tempered Hole 2 E

<i>TAKE NOTHING FOR GRANTED. IF ANY PART OF THIS DRAWING IS NOT CLEAR, DO NOT PROCEED.</i>						
<i>THE CONTENTS OF THIS DRAWING ARE PROPRIETARY AND ARE NOT TO BE DIVULGED.</i>						
UNLESS OTHERWISE SPECIFIED		DRAWN	J. Muetzel	1-30-18	TYLOHELO	
ALL DIM ARE IN INCHES	TOL	.XX	+/- 0.030			TITLE
		.XXX	+/- 0.010			
		.XXXX	+/- 0.005			
		ANGLE	+/- 1/2 DEG			
MATERIAL		ENG			AG Door 24x80	
FINISH		Q.C.				
		MFG				
		MTLS			SIZE B	
					DRAWING No. 8315-49	
					REV G	
					SCALE: NONE	
					FILE: 8315-49	
					SHEET 1 OF 1	