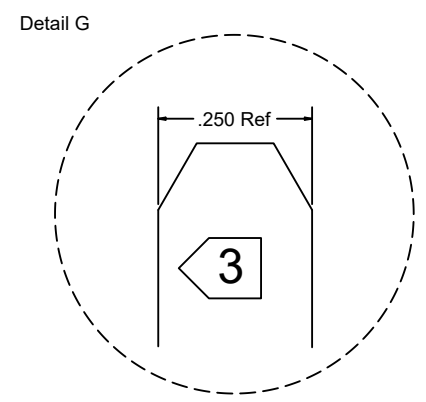
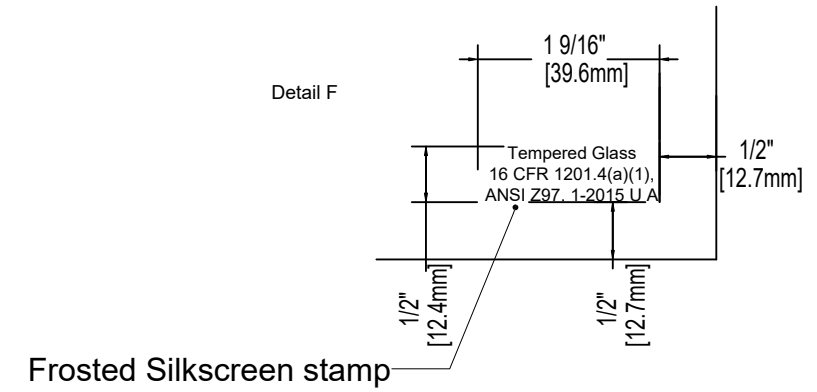


REVISIONS		
REV	DESCRIPTION	DATE
E	UPDATED DRAWING & FORMATTED TEMPERED GLASS	3-10-15
F	UPDATED DETAIL F & FORMAT	12-7-17
G	DIMENSION CLARIFICATION & CLEANUP	1-30-18



- Notes:
- 1. Tempered Glass, Bronze Tint
 - 2. Stencil "Tempered Glass" Logo as close to lower right corner as possible(2nd surface). (Font to be SanSerif Arial or equivalent, all letters to be clearly legible.) (Detail F)
 - 3. Tempered Flat Polish Edge, 4 Sides (Detail G)

Tempered Hole 3 D
 Tempered Hole 2 E

TAKE NOTHING FOR GRANTED. IF ANY PART OF THIS DRAWING IS NOT CLEAR, DO NOT PROCEED.					
THE CONTENTS OF THIS DRAWING ARE PROPRIETARY AND ARE NOT TO BE DIVULGED.					
UNLESS OTHERWISE SPECIFIED		DRAWN	J. Muetzel	1-30-18	TYLOHELO
ALL DIM ARE IN INCHES	TOL	.XX	+/- 0.030	CHECK	
		.XXX	+/- 0.010		
		.XXXX	+/- 0.005		
		ANGLE	+/- 1/2 DEG		
MATERIAL		ENG			AG Door 36x80
FINISH		Q.C.			
		MFG			
		MTLS			SIZE B
					DRAWING No. 8315-63
					REV G
					SCALE: NONE
					FILE: 8315-63
					SHEET 1 OF 1