

# helo

COMMERCIAL

DRAWING #

**Bench Construction**

INVOICE #

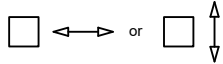
COMPANY:  
JOB NAME:

WOOD TYPE:

T&G DIRECTION:

ROOM HEIGHT:

JOIST DIRECTION:



SQ. FOOTAGE:

Door Size/Style \_\_\_\_\_

Door Jamb Width \_\_\_\_\_

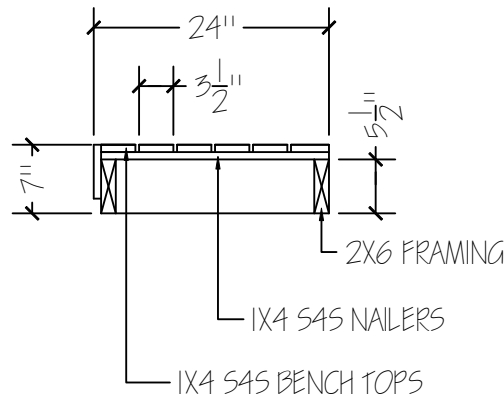
Interior Upgrade \_\_\_\_\_

Htr. Size/Model \_\_\_\_\_

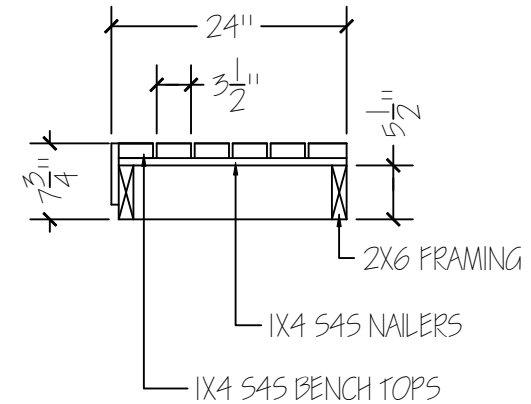
Control Type \_\_\_\_\_

Voltage/Phase \_\_\_\_\_

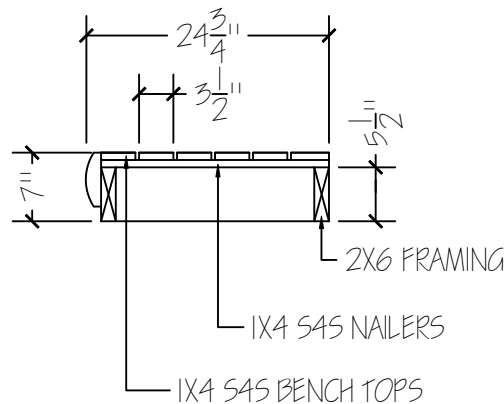
Lighting Option \_\_\_\_\_



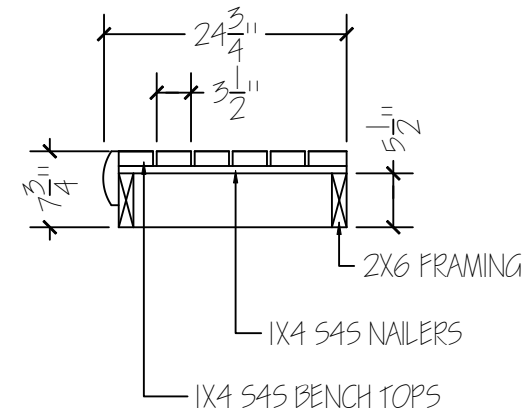
COMMERCIAL BENCH CONSTRUCTION  
1X4 S4S BENCH TOPS



COMMERCIAL BENCH CONSTRUCTION  
2X4 S4S BENCH TOPS



COMMERCIAL BENCH CONSTRUCTION  
BULLNOSE FRONT  
1X4 S4S BENCH TOPS



COMMERCIAL BENCH CONSTRUCTION  
BULLNOSE FRONT  
2X4 S4S BENCH TOPS

Customer Approval:  \_\_\_\_\_

\*Dimensions are stud to stud, unless otherwise noted\*

DATE: 2020

*custom cut sauna*