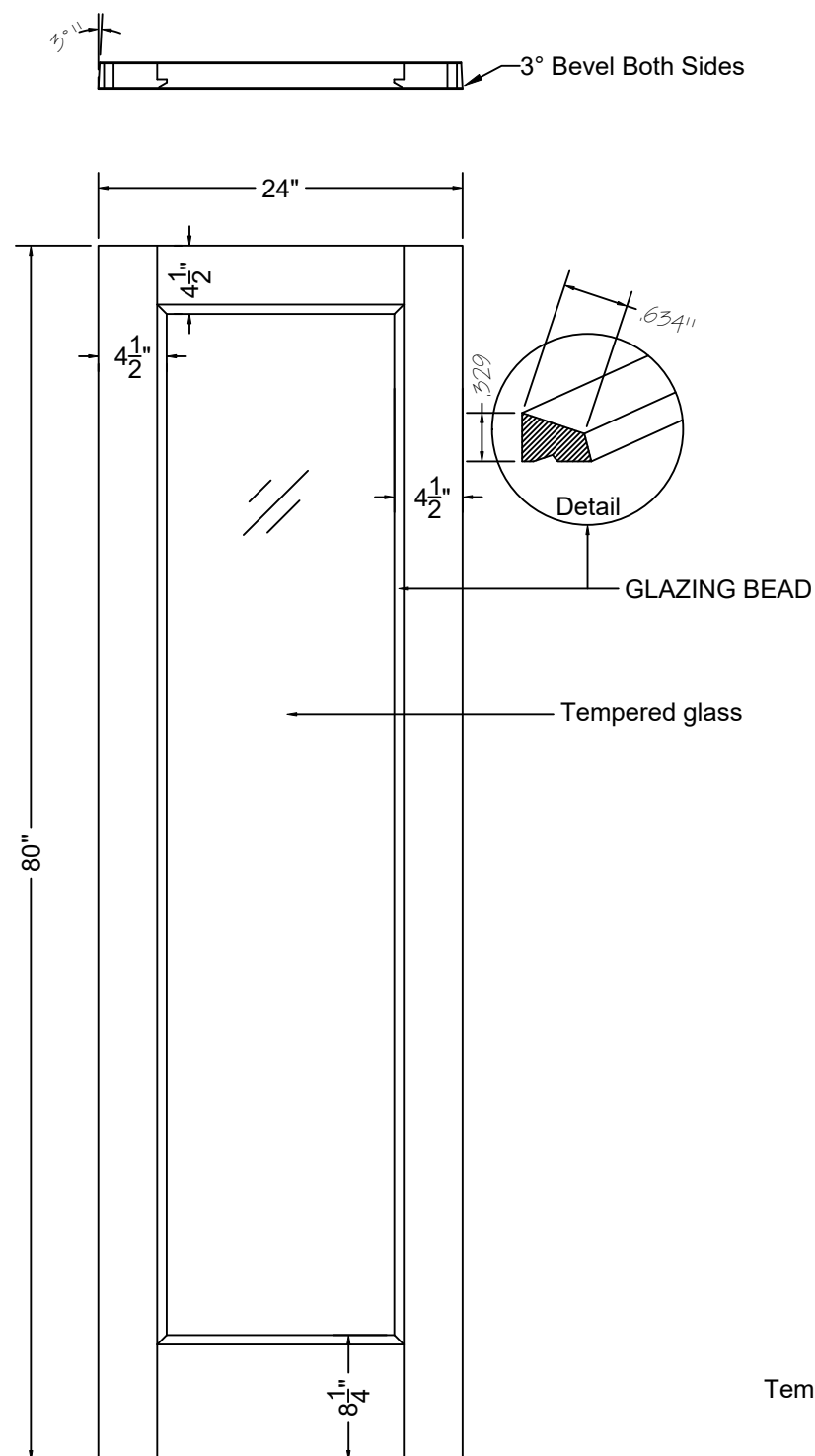


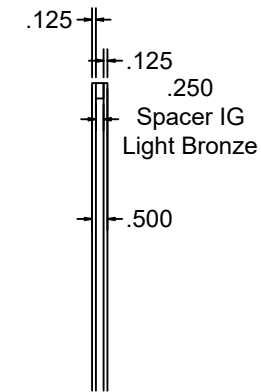
REVISIONS

REV	DESCRIPTION	DATE
B	UPDATE DRAWING FORMAT	6-22-12
C	UPDATE DRAWING	3-24-20

Top View



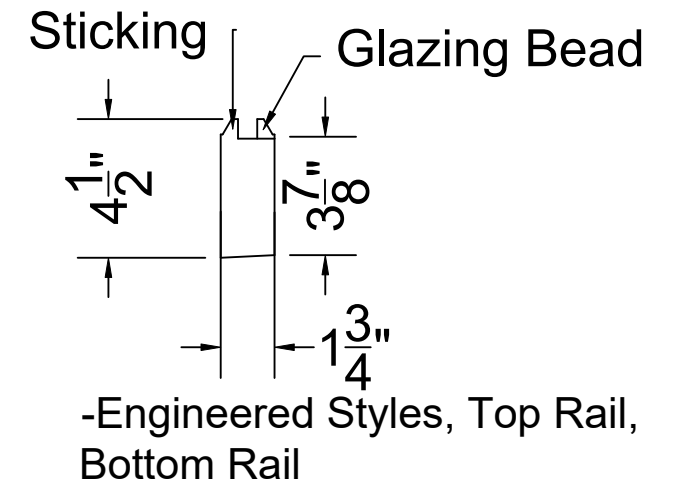
Tempered Logo Location



Side Glass Profile

Note:

Glass, 1/2" OA, 3/16" IGCTE187 Panes, Clear, with Light Bronze Space, Tempered with Logo



-Engineered Styles, Top Rail, Bottom Rail

Additional Detail:

- Engineered components consist of fingerjointed and edgeglued core material with solid edge strips and premium vertical grain veneer faces. This type of construction process relieves the internal stresses found in solids, which so often cause a door to cup, twist or warp over time. Only the finest old growth, tight grained veneers are used, allowing for a finished look that is not available with solid wood; a look free from pitch, stain and wide, course growth rings typical of new growth lumber.
- Only Type-1 water proof adhesive is used.
- 5/8" dowell pins.
- Any face or edge strip patch must be unrecognizable to the untrained eye.
- Concealed caulking applied only to prevent IG from rattling or moving in door.
- Absolutely no squeeze out.

TAKE NOTHING FOR GRANTED. IF ANY PART OF THIS DRAWING IS NOT CLEAR, DO NOT PROCEED.

THE CONTENTS OF THIS DRAWING ARE PROPRIETARY AND ARE NOT TO BE DIVULGED.

UNLESS OTHERWISE SPECIFIED		DRAWN	DATE	TYLOHELO	
ALL DIM ARE IN INCHES	TOL	.XX	+/- 0.030	j. Muetzel	3-24-20
		.XXX	+/- 0.010	CHECK	
		.XXXX	+/- 0.005	ENG	
		ANGLE	+/- 1/2 DEG	Q.C.	
MATERIAL		Doug Fir		TITLE	
FINISH				DF 24 x 80	
SIZE	DRAWING No.	MFG		B	7010-135
SCALE: NONE	FILE: 7010-155	MTLS		C	