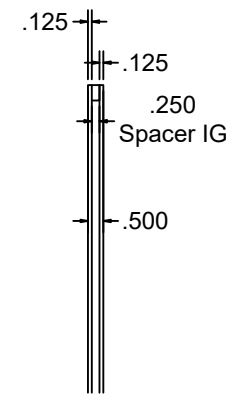
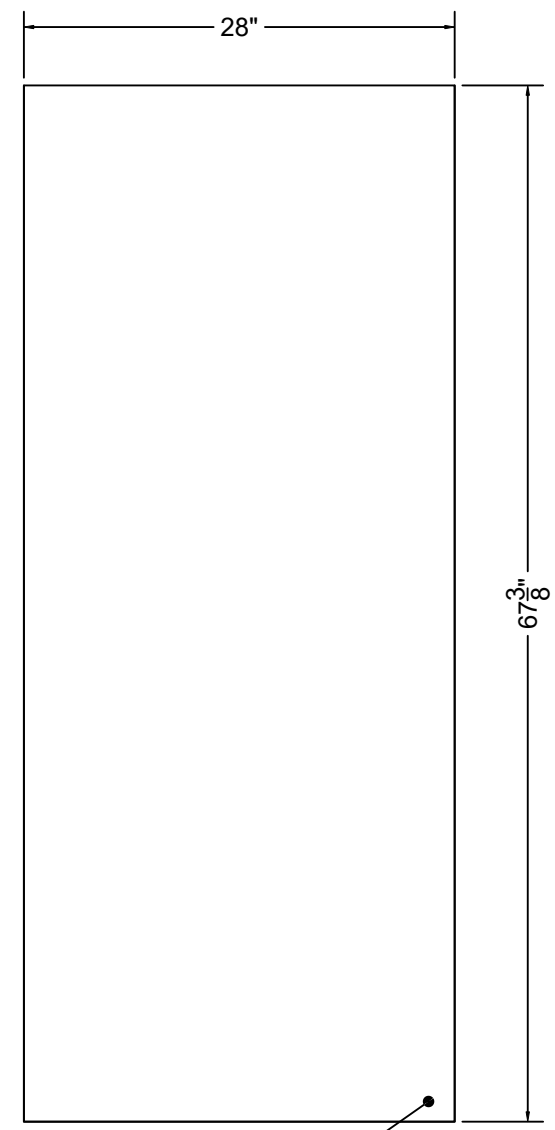
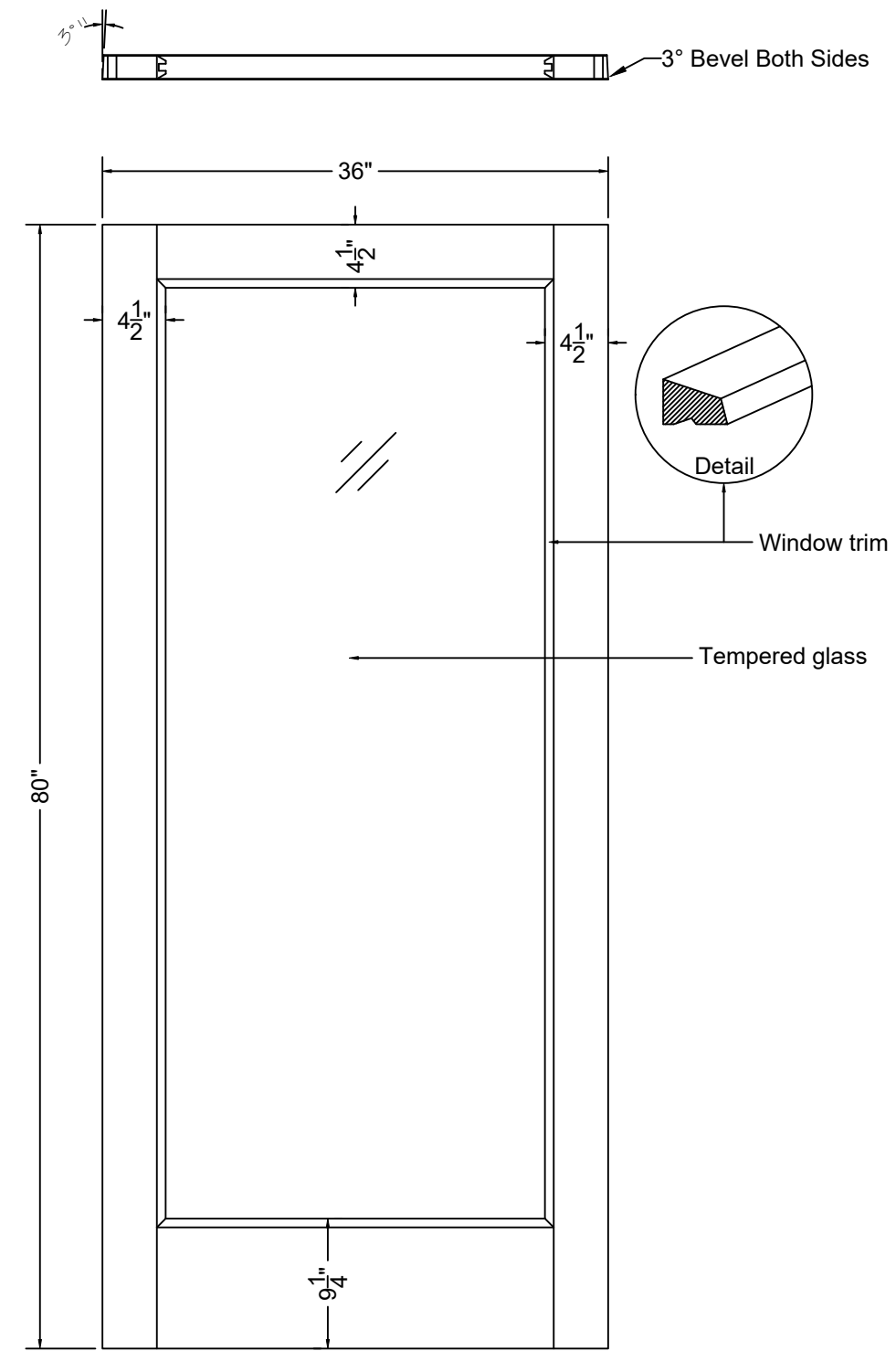


REVISIONS

| REV | DESCRIPTION | DATE |
|-----|-----------------------|---------|
| B | UPDATE DRAWING FORMAT | 6-22-12 |

Top View



Side Glass Profile

Additional Detail:

Engineered components consist of fingerjointed and edgeglued core material with solid edge strips and premium vertical grain veneer faces. This type of construction process relieves the internal stresses found in solids, which so often cause a door to cup, twist or warp over time. Only the finest old growth, tight grained veneers are used, allowing for a finished look that is not available with solid wood; a look free from pitch, stain and wide, course growth rings typical of new growth lumber. Only Type-1 water proof adhesive is used.

Notes:

Glass, 1/2" OA, 1/8" Panes, Clear, with Light Bronze Space, Tempered with Logo

Tempered Logo Location

TAKE NOTHING FOR GRANTED. IF ANY PART OF THIS DRAWING IS NOT CLEAR, DO NOT PROCEED.
THE CONTENTS OF THIS DRAWING ARE PROPRIETARY AND ARE NOT TO BE DIVULGED.

| UNLESS OTHERWISE SPECIFIED | | DRAWN | C. Fronk | 6-22-12 | TYLOHELO | | |
|----------------------------|-----|----------------|-------------|----------------------------|----------|-------|-----|
| ALL DIM ARE IN INCHES | TOL | .XX | +/- 0.030 | CHECK | ENG | TITLE | |
| | | .XXX | +/- 0.010 | | | | |
| | | .XXXX | +/- 0.005 | | | | |
| | | ANGLE | +/- 1/2 DEG | | | | |
| MATERIAL | | Doug Fir | | Q.C. | DF 36x80 | SIZE | |
| FINISH | | MFG | | DRAWING No. | | | REV |
| | | MTLS | | B 7010-155 B | | | |
| SCALE: NONE | | FILE: 7010-155 | | SHEET 1 OF 1 | | | |

J
I
H
G
F
E
D
C
B
A

1 2 3 4 5 6 7 8 9 10 11 12 13 14 15