

helo

COMMERCIAL

DRAWING #

Flat 5 Bar Backrest

INVOICE #

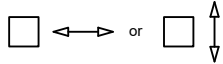
COMPANY:
JOB NAME:

WOOD TYPE:

T&G DIRECTION:

ROOM HEIGHT:

JOIST DIRECTION:



SQ. FOOTAGE:

Door Size/Style _____

Door Jamb Width _____

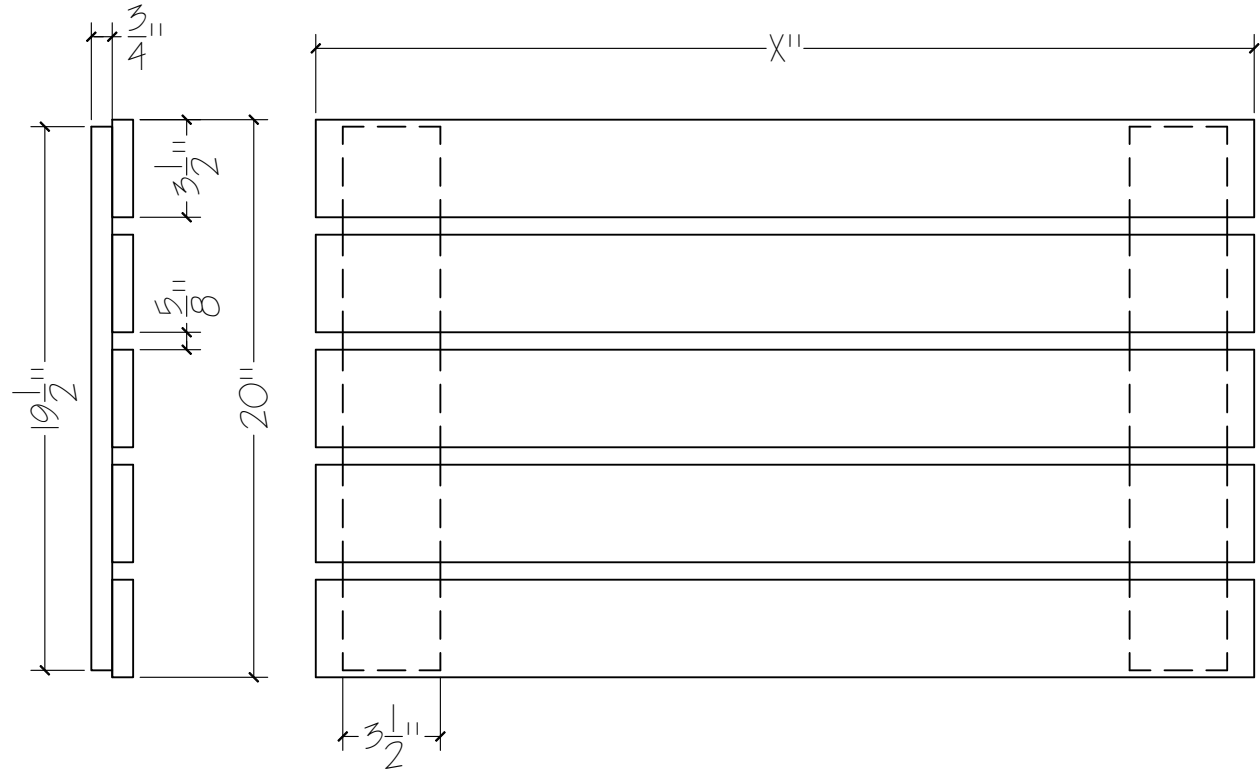
Interior Upgrade _____

Htr. Size/Model _____

Control Type _____

Voltage/Phase _____

Lighting Option _____



Customer Approval: _____

Dimensions are stud to stud, unless otherwise noted

DATE: 2020

custom cut sauna