



DRAWING #
CC46-B

INVOICE #

COMPANY:
JOB NAME:

WOOD TYPE: Cedar

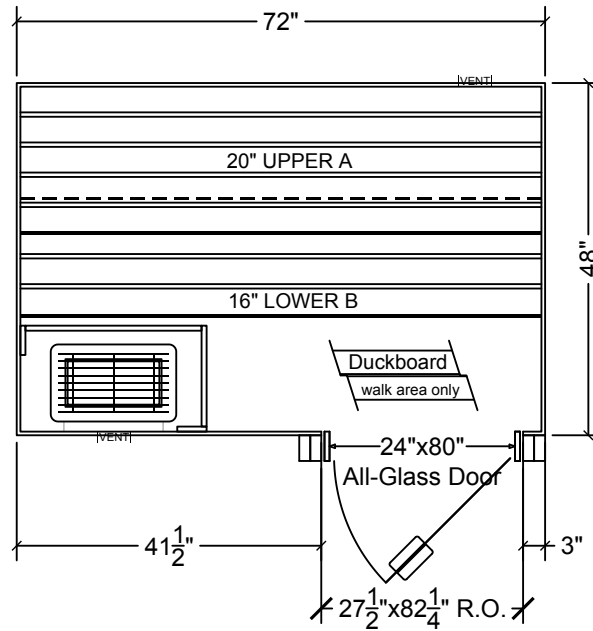
T&G DIRECTION:

ROOM HEIGHT:

JOIST DIRECTION:
 ←→ or ↑↓

SQ. FOOTAGE: 23

Door Size/Style _____
Door Jamb Width _____
Interior Upgrade _____
Htr. Size/Model _____
Control Type _____
Voltage/Phase _____
Lighting Option _____



See construction standards for drawing assumptions