



DRAWING #

CC47-B

INVOICE #

COMPANY:

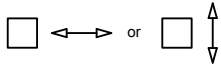
JOB NAME:

WOOD TYPE: Cedar

T&G DIRECTION:

ROOM HEIGHT:

JOIST DIRECTION:



SQ. FOOTAGE: 27

Door Size/Style _____

Door Jamb Width _____

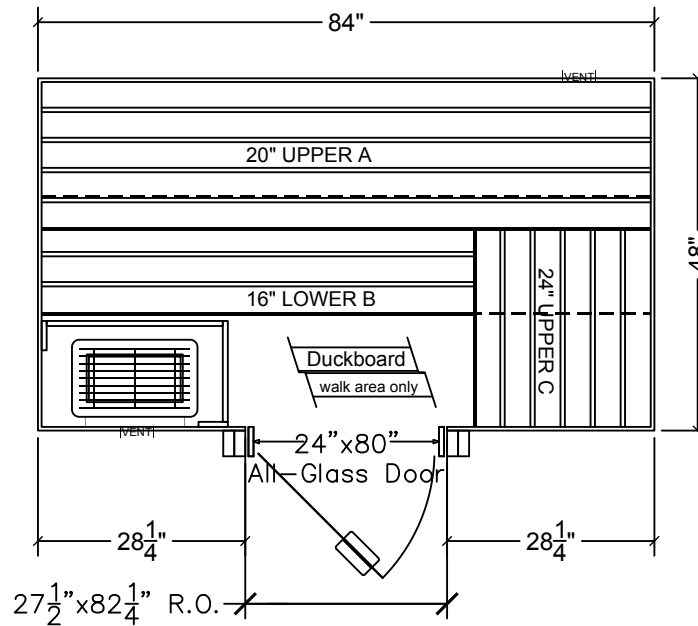
Interior Upgrade _____

Htr. Size/Model _____

Control Type _____

Voltage/Phase _____

Lighting Option _____



See construction standards for drawing assumptions