



DRAWING #  
**CC56-B**

INVOICE #

COMPANY:  
JOB NAME:

WOOD TYPE: Cedar

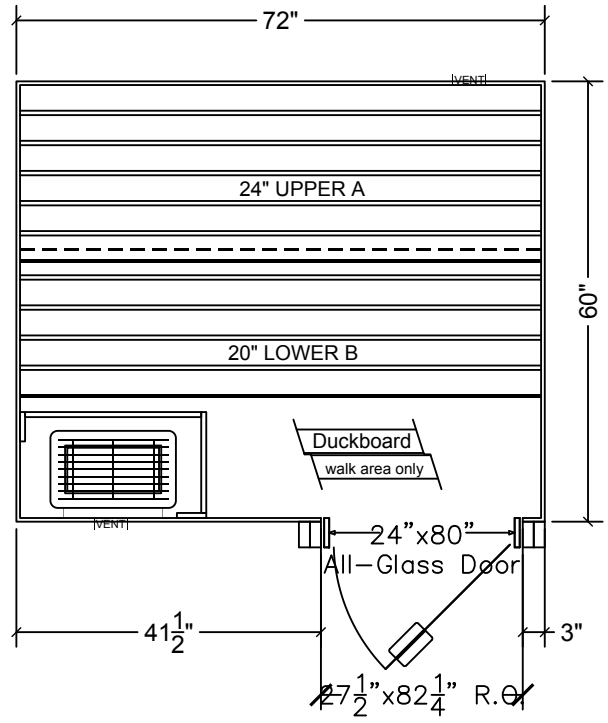
T&G DIRECTION:

ROOM HEIGHT:

JOIST DIRECTION:  
 ←→ or  ↑↓

SQ. FOOTAGE: 29

Door Size/Style \_\_\_\_\_  
Door Jamb Width \_\_\_\_\_  
Interior Upgrade \_\_\_\_\_  
Htr. Size/Model \_\_\_\_\_  
Control Type \_\_\_\_\_  
Voltage/Phase \_\_\_\_\_  
Lighting Option \_\_\_\_\_



See construction standards for drawing assumptions