

Installation and Operation Instructions

Read all instructions carefully before using the wooden infrared sauna room

G-Series G300 with Bluetooth Sound System



Precautions Before Use	2
Preassembly Information	2
Electrical Requirements	2
Sauna Assembly	3
Electrical Connections Under Bench	5
Ceiling Power Connections	6
Control Pad Instructions	9
Lighting: Interior	9
Sound System	10
How To Enjoy The Sauna	11
Maintenance & Technical Support	12
Warranty	13

Precautions before Use: Warning (Room Configuration & Use):

- Proper Electrical Grounding is Required
- Electrical Receptacles not Allowed in the Room
- Do not Apply Water to any Heating Element
- Do not Add a Locking or Latching System to the Door
- Do not Block Ventilation Openings
- Children Must be Supervised at all Times in the Sauna

NOTE: A GFCI (Ground Fault Interrupt Circuit) device is not required by NEC. A GFCI may be installed if required by local codes but will nuisance trip during use of the product. - CAUTION: Loose wire connections can cause heat damage to wires, terminal blocks and other components and may void the warranty.

Electrical Caution – Do not plug the room power cord into an electrical outlet until Room Assembly is completed!

a. Warning (Human Limitations):

Prolonged Exposure at Elevated Temperatures May Cause Hyperthermia (Body Temperature is Several Degrees Above 98.6F)

Hyperthermia Symptoms include: Dizziness, Lethargy, Drowsiness, and Fainting

Hyperthermia Effects:

- Failure to Recognize the Need to Exit the IR Room
- Fetal Damage in Pregnant Women
- Physical Inability to Exit the Room
- Loss of Consciousness

Notice - Use of Alcohol or Drugs Increases the Risk of Fatal Hyperthermia

If You Have any Health Problems or Health Conditions, Consult Your Physician Prior to Sauna Use, Discontinue Use if Nervousness, Tremor, Headache, Feeling of Sickness or Nausea Occurs

b. Warning (Fire Hazards):

Do Not Use the Sauna Room for Drying Cloths, Bathing Suits, Etc.

Do Not Hang Towels or Other Objects on Heater Grills

Never Operate this Sauna Room if it Has a Damaged Cord or Plug

Pre-assembly Information:

- Two (2) adults are required for the assembly and installation of the room
- Assembly Tools: Phillips Screw Driver
- Boxes are labeled in the order of room assembly

Box #1: Floor, Ceiling, Bench Skirt, Bench,

Box #2: Back & Front Walls

Box #3: Left & Right Walls

Electrical Requirements: The IR Sauna Room is designed for a 120 Volt AC / 15 Amp Circuit Breaker! **A 120 Volt AC (dedicated) circuit is recommended to avoid unnecessary tripping of the breaker.**

The Sauna should be plugged into a NEMA (5-15R) amp electrical outlet.

G 100	15 Amp
G 200	15 Amp
G 300	15 Amp



5-15R



Box label will indicate the model of the room and the room serial number, the label will also give you the box number and the internal contents.

Record your model number and serial number from box in the event you should need to contact your dealer or technical support.

Serial Number _____

Model Number _____

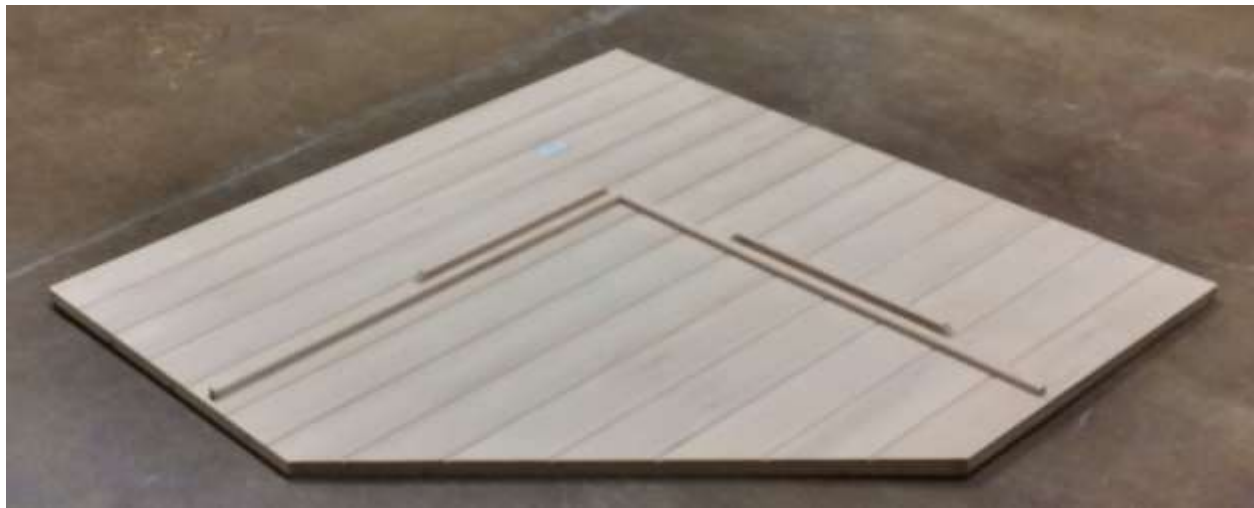
Dealer Name _____

Sauna Assembly Instructions

Floor Panel (Box #1): Locate the Floor Panel on a level surface (3-6) inches from wall. No more than (5 ft) from 120 Volt AC / 15 amp dedicated receptacle is recommended.

Position the Floor panel so the bench skirt track and serial number go to the back of the room.

Note store Ceiling, Bench Skirt and Bench until the appropriate steps.



Left Back Wall (Box #3):

- Place Left Back Wall section behind of the Floor Panel
- Left Back Wall section must be held in place while Right Wall section is added

Note – Store Front Wall section until “Front Wall Section” step

Note – The wall panels do not sit on the floor panel. The lower trim does sit on the floor panel.



Right Back Wall (Box #3):

- Place Right Back Wall section behind of the Floor Panel
- Attach Right Back Wall to the Left Back Wall by lifting up the Right wall sliding into back wall bracket.



Left & Right Front Wood Walls (Box #2):

- Place Left Front Wall section ahead of the Floor Panel.
- Attach the Left Back Wall to the Left Front Wall by lifting up the Left Front Wall sliding into the corner interlock brackets.
- Place Right Front Wall section ahead of the Floor Panel.
- Attach the Right Back Wall to the Right Front Wall by lifting up the Right Front Wall sliding into the corner interlock brackets.



Front Wall (Box #2):

- Place the Front in front of Floor Panel.
- The Front Wall panel should now be held tightly in place by the corner interlock brackets from the front wall.
- Place the locking pin into latch to prevent the clip from opening.
- The top of all of the walls should be level and flush as shown below.



Bench Skirt (Box #1):

- Insert the Bench Skirt in between the Left Front Wall and the Back Right Wall.
- Slide Bench Skirt all the way to the floor. Do not pinch any wires under the skirt.
- Insert the Bench Skirt in between the Right Front Wall and the Bench Skirt sections



Electrical Connections (under bench - left side):

- Connect wire S3 from the left front wall to the bench skirt.
- Connect wire S4 from the right front wall to the bench skirt. (Not shown)
- View of the finished connections.



Bench Tops (Box #1):

- Insert the Long Bench Top in between the Right Front Wall and the Back Left Wall
- Bench Top must tuck under the back heater guard and then push all the way to the back wall.
- The Bench Top should fit down flush from front to back. It may be necessary to use the openings on the bench skirt to apply either forward or backward movement on the skirt to allow bench to drop into place.
- Insert the Short Bench Top in between the Left Front Wall and the Long Bench



Ceiling (Box #1):

- Ensure the wires from the top of the walls and are pushed to the outside of the wall.
- Install the ceiling into the top off room.
- Ceiling will rest on the trim on the inside of the walls.



Electrical Connections (Front Left Corner):

- Open all hatch doors on the ceiling to locate the necessary electrical plugs.
- Connect wire #L1 from the Wall harness to the Ceiling wire #L1.
- Connect wire #S4 from the Wall harness to the Ceiling wire #S4.
- Connect wire #E from the Wall harness to the Ceiling wire #E.
- Connect wire #3 from the Wall harness to the Ceiling wire #3.



Electrical Connections (Back Left Wall)

- Connect wire #B1 from the Wall harness to the Ceiling wire #B1.

Electrical Connections (Back Right Wall)

- Connect Wall wire B2 to Ceiling wire B2

Electrical Connections (Front Right Corner):

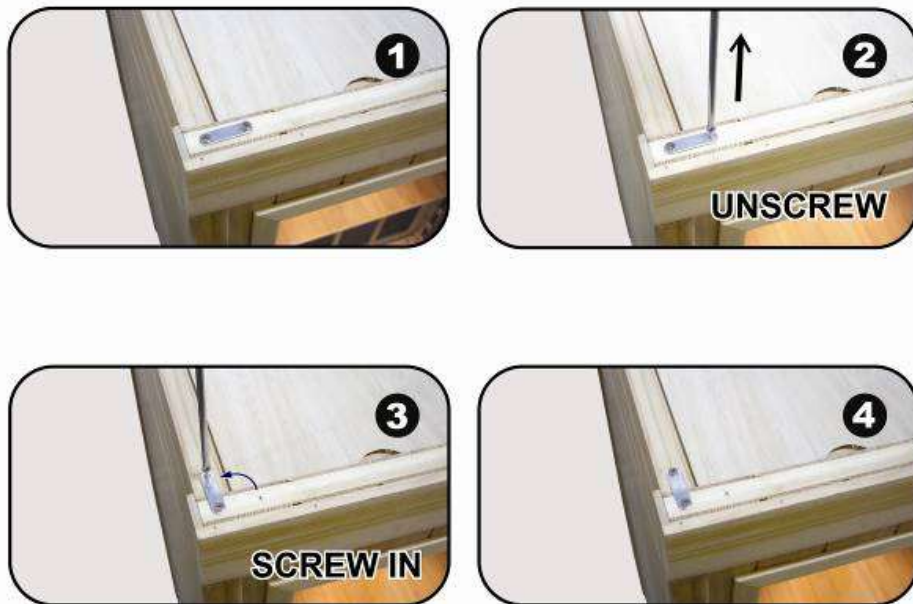
- Connect wire #R1 from the Wall harness to the Ceiling wire #R1.
- Connect wire #S3 from the Wall harness to the Ceiling wire #S3.
- Close all hatch doors in the ceiling after all connections are completed.

IMPORTANT

Final assembly of the room

There are 4 metal fasteners on top of the wall panels. The fasteners will lock the 4 panels of your Sauna Room together.

After assembly of the Sauna Room, simply follow below procedures and repeat to every corner.



Sauna Room 120 Volt AC Power Cord:

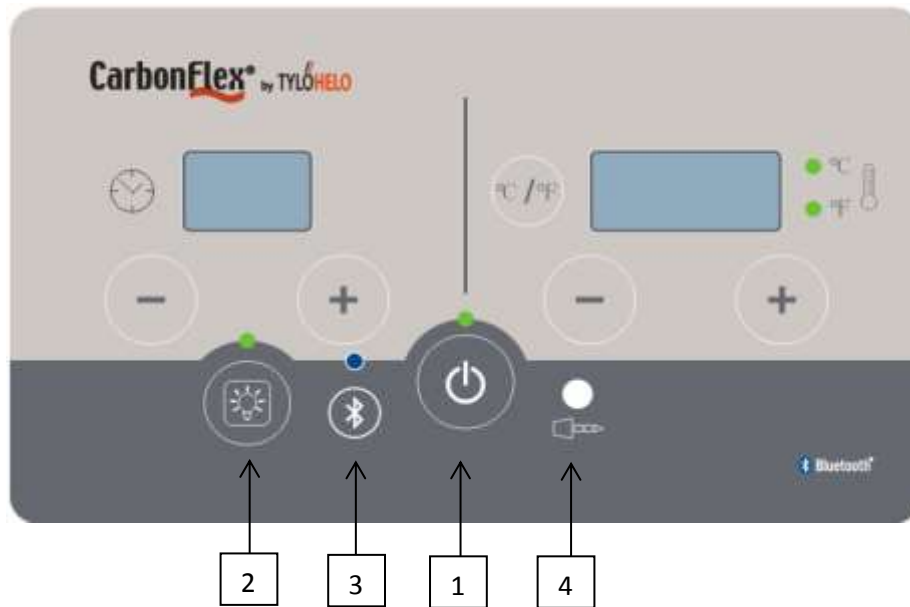
- Electrical cord is in the back right corner close to the front of the room in the ceiling.
- Plug the Sauna room power cord into the 15 amp / 5-15R receptacle.

Note: If possible the sauna should be plugged into a dedicated outlet of the correct rating. Plugging your sauna into a shared circuit can cause poor performance, circuit breaker tripping, or overheating of the circuit.



The Sauna Rooms is now ready to use!

Control Panel Instructions:



Main Power:

Press **POWER** to switch room **ON** or **OFF** (1)

Timer Functions:

Press and hold **+** or **-** to set room operating time.

Increases time (5 minute increments) / Decreases time (5 minute increments)

Temperature Functions:

Press to alternate between either **C** or **F** (C or F will light to indicate the units desired)

Press and hold **+** or **-** to set desired room temperature setting.

Pressing once will increase or decrease the desired setting in one-degree increments.

Once the desired room temperature is set, the desired temperature will flash three (3) times

After the fourth (4th) flash, the actual room temperature will remain displayed.

Light Functions:

Press “**Inside Light**” to turn **ON** or **OFF** (2)

Note – All Lights will operate independently of Main Power.

Audio Operation:

Audio Power ON/OFF (3)

Press Bluetooth icon (Button 1) to turn on or off audio system

Blue LED indicates the audio system is operating.

Bluetooth is always enabled when blue LED is glowing and Aux Input is not connected

Auxiliary Input (3.5 mm) (4)

Insert 3.5 mm cable into the Aux Input

Aux Input automatically disables Bluetooth and enables Aux Input.

WARNING

Apple will not warranty your Apple product if used at operating temperatures of 32°F or below and 95°F and above. The recommended operating temperature is 32°F to 95°F to fall into the warranty. Check with any other device manufactures for operation temperatures before using the device in the Sauna/IR Room.

How to Use Infrared Sauna:

Avoid eating large meals and excessive alcohol intake before using Sauna.

Never smoke or drink alcohol or exercise inside of Sauna.

If you are taking any medication, or under the care of a Physician care, always consult your Physician prior to Sauna usage. Refer to Sauna Usage Warning signs located inside of Sauna Room

Prior to Sauna session, if possible, take a warm shower without drying.

Clothing is optional or wear loose fitting clothes. You may choose to sit or lie on a clean soft towel.

Set desired time & temperature. Control pad is located outside and inside of Sauna.

Enter Sauna and relax, you may choose to enjoy music with the Sauna Radio / MP3 Player.

Sit or lie on bench. Close the door and open the interior ceiling vent allowing for fresh air circulation.

Remain in the Sauna long enough to warm up and stimulate a mild perspiration. Typically that may occur in 10 – 15 minutes. This varies with every individual and their comfort level. Do not overdo it!

Drink plenty of cool water or a refreshing healthy drink while using the sauna.

Leave the Sauna and cool down. Shower or bathe if possible to cool down and cleanse the skin.

Cool down period usually is the same length of time as the Sauna session.

Then reenter the Sauna for another 10-15 minute session.

Continue this process of alternating using the Sauna and Cooling Down for 3 to 4 cycles.

Length of time in the Sauna and cool off period varies and depends on the individual.

After final Sauna session and upon leaving the Sauna, turn the Sauna off.

Open the door and clean the Sauna walls, bench and floor areas with a soft clean damp cloth.

Enjoy a final shower or bath to cool down. Relax in the special “after sauna glow”! You may also choose to enjoy a healthy snack and cool drink.

Additional Usage Warnings Located Inside Sauna Room



Maintenance / General Cleaning Tips:

DO NOT USE: Alcohol or any strong Cleaning Chemicals

Note – Some chemicals can damage clear finish and wood surfaces.

Interior: Perspiration and dirt may absorb into the wood, so periodic cleaning is needed. Scrubbing benches, back supports, floor boards and walls with a stiff brush and mild detergent is normally sufficient. Light sanding is another option for cleaning interior surfaces.

Exterior: Use a damp cloth of a mild soap mixed with warm water.

Trouble Shooting Tips:

a. Main Control Touch Pad Lights Not Lit:

- Ensure electrical connections between ceiling and back wall and the ceiling and front wall
- Ensure power cord is plugged in to the proper power receptacle and dedicated circuit breaker
- Ensure main circuit breaker (house) is not tripped (power is found at the receptacle)
- Ensure the room main controller circuit breaker (in the ceiling) is not tripped and is ON

b. Room not heating and room lights work:

- Ensure room desired temperature is greater than room actual temperature (controller demands heat)

For additional assistance or service questions?

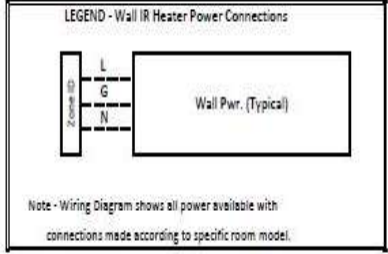
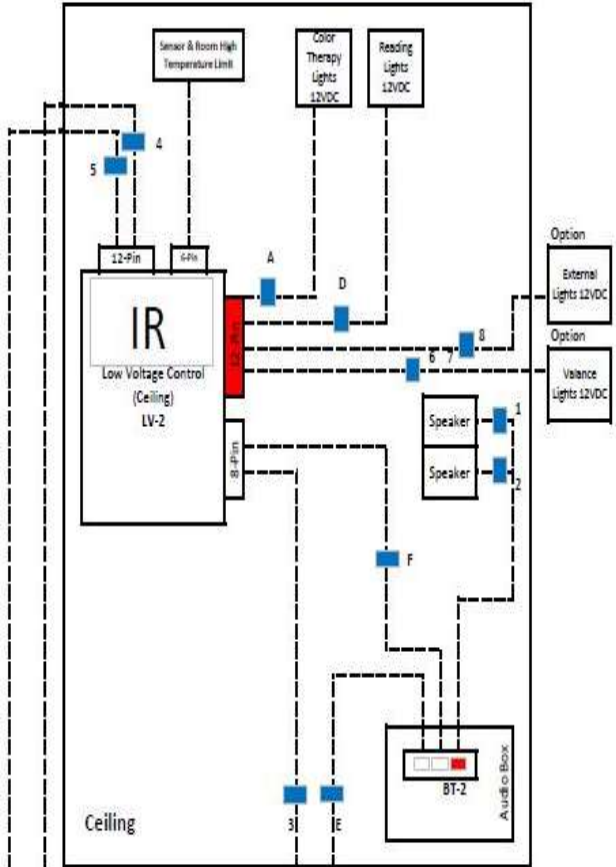
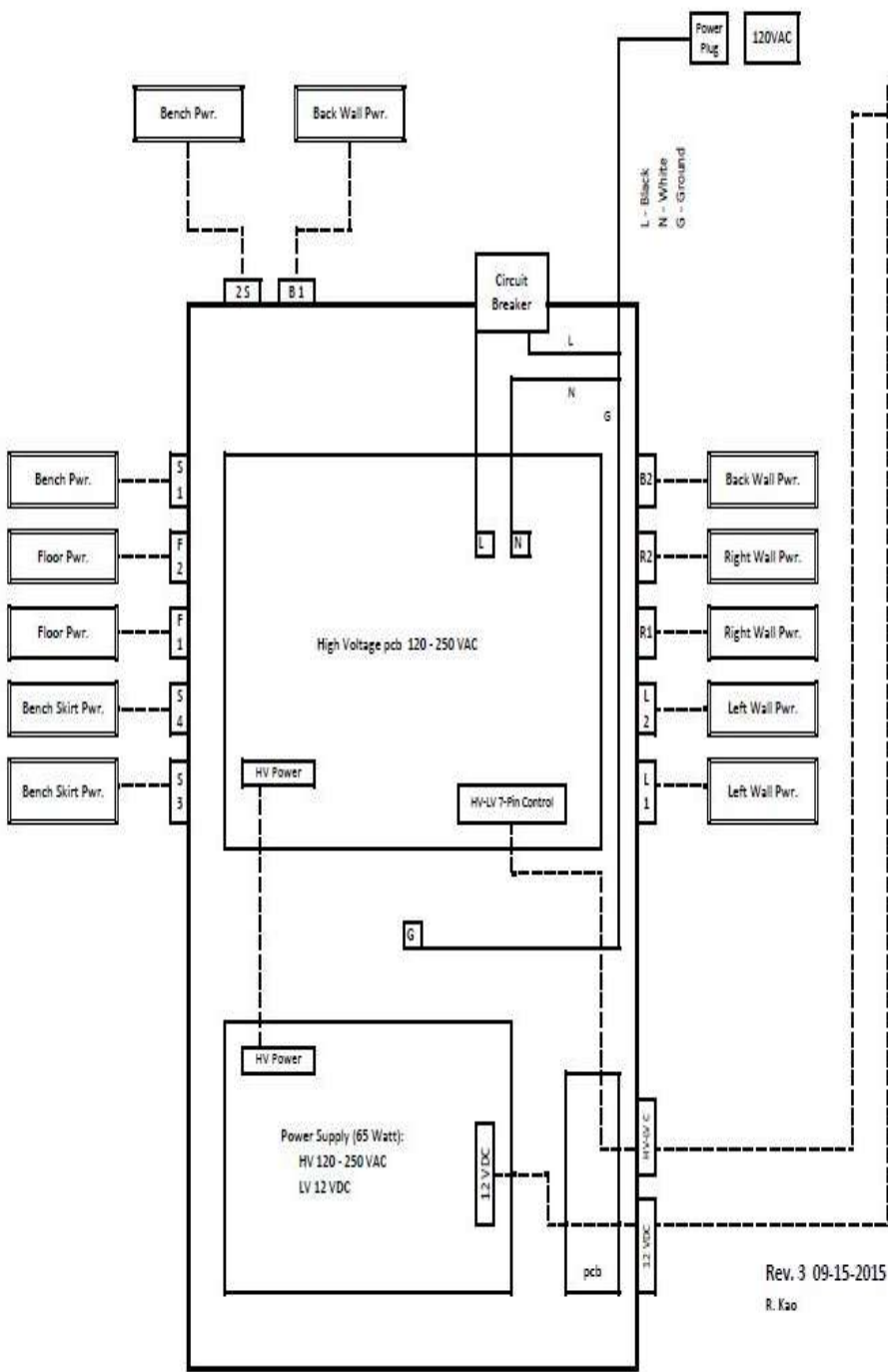
Please do not hesitate contacting Saunatec/TyloHelo

Mon – Fri. 8AM – 5PM CST

1-888-780-4427

techsupport@tyloheloinc.com

IR Room Wiring Diagram
 - Bluetooth Audio System -
 (ALL Series 120VAC)



Rev. 3 09-15-2015
 R. Kao



G-Series Infrared Sauna Warranty

TyloHelo warrants our G-Series Line of Infrared Saunas (warranted products) against malfunction or defects in materials or workmanship for the period of time and in accordance with the conditions set forth below:

1. **Applicability.** This warranty applies when the warranted product (a) is installed in accordance with installation instructions provided, (b) is properly and reasonably maintained, and (c) has not been subjected to damage, misuse, or abuse, and (d) is for residential use only.

2. **Registration.** This warranty becomes valid only after the Limited Warranty Registration form, provided with this warranty, is completely filled in and signed by the original purchaser and mailed to TYLOHELO within sixty (60) days from the date of original installation. This warranty is non-transferable and shall extend only to the original purchaser.

3. **Duration of Warranty.** TYLOHELO or its authorized representative will provide parts to replace those with manufacturing or workmanship defects for a period of one (1) year from the date of original purchase, except when the warranted product is installed in commercial locations such as clubs, condominiums, apartments, spas or military facilities. In commercial locations, TYLOHELO or its authorized representative will provide parts to replace those with manufacturing or workmanship defects for a period of ninety (90) days from the date of original purchase for all components.

Other electrical components are covered separately in the warranty (see other sections).

Five (5) Year limited warranty on the CarbonFlex™ Emitters for Residential Use: TYLOHELO or its authorized representative will provide parts to replace manufacturing or workmanship defects for the 5 years from the date of purchase, including freight for the first five years. Warranty item may have to be inspected at the factory first before final approval.

One (1) Year Stereo/Speaker Warranty: TYLOHELO or its authorized representative will provide parts to replace manufacturing or workmanship defects for a period of one year from the date of purchase.

One (1) Year Infrared Sauna Room, Wood Components Warranty: TYLOHELO will provide parts to replace those with manufacturing or workmanship defects for 1 year from the date of purchase. Since the wood used in saunas has been kiln dried, a certain amount of expansion and contraction occurs in the wood in a sauna environment. This may result in minor cracks, which is considered normal and not covered under any warranty.

Labor Warranty: TYLOHELO will perform all labor at the factory free of charge during the warranty period. The customer is responsible for shipping warranted product to the factory. With approval from TyloHelo, customer may elect to have a replacement part shipped to them (in Lieu of labor at the factory) in some cases. TYLOHELO may, at their discretion require the warranted part to be returned to TYLOHELO.

4. **Return Authorization Number.** A return authorization number assigned by a TYLOHELO representative must accompany all returned parts. Parts, which are returned without a return authorization number, may not be repaired or replaced.

5. **Procedure.** Requests for repair or replacement, a return authorization number, or warranty information, should be directed to TYLOHELO by calling toll-free 1-888-780-4427 or by writing to TYLOHELO, 575 EAST COKATO STREET, COKATO, MN, 55321. Defective product or parts returned for repair or replacement must be shipped prepaid to TYLOHELO at the above address. Shipping costs for return of replacement product or parts to the purchaser will be at the expense of the purchaser.

6. **Limitations, Exclusions, and Remedies.** There are no warranties which extend beyond the descriptions of the face hereof. This limited warranty is in lieu of all warranties, expressed or implied, and of all other obligations or liabilities on the part of TYLOHELO. There shall be no implied warranty of merchantability. TYLOHELO neither assumes nor authorizes any person to assume for it any other obligation or liability in connection with the sale of its products.

Damages for breach of this warranty shall not exceed the lesser of the cost of repair or replacement. Repair or replacement shall be the exclusive remedy available to the purchaser.

Under no circumstances shall TYLOHELO be liable by virtue of this warranty or otherwise for any special, indirect, secondary, incidental, or consequential damage of any nature to any person or property arising directly or indirectly out of the use or inability to use a warranted product.

Some States do not allow limitations on how long an implied warranty lasts, or the exclusion or limitation of incidental or consequential damages, so the above limitations and exclusions may not apply to you.

7. **Disputes.** Any lawsuit alleging breach of this limited warranty shall be commenced within one year from the date of breach.

This warranty gives you specific legal rights, and you may also have other rights, which vary from State to State.



LIMITED WARRANTY REGISTRATION FORM

Please fill out and return within 60 days of installation to: TYLOHELO, 575 EAST COKATO STREET, COKATO, MN 55321

The undersigned hereby acknowledges the receipt of TYLOHELO Limited Warranty and affirms that the date of purchase was _____, 20____, further that installation of the equipment has been completed according to the TYLOHELO installation instructions furnished with the equipment and that I have read, understand and agree to the condition and terms of the TYLOHELO Limited Warranty in its entirety.

Name of Purchaser _____ Phone _____

Address _____ Model No. _____

City _____ St. _____ Zip _____ Serial No. _____

Purchaser's Signature _____