

# amerec Optional 120V Digital Clock For AI Boiler Series Setting Instructions

This time clock provides flexible timing for daily and/or weekly programming. Setting the clock is simple and fast by means of push buttons and display prompts. This timer provides 24 hour/7 day timing.

Up to 8 on/off operations are allowed for each day and a total of up to 112 switching cycles per week when using repeat timings. Minimum time setting is 1 minute.

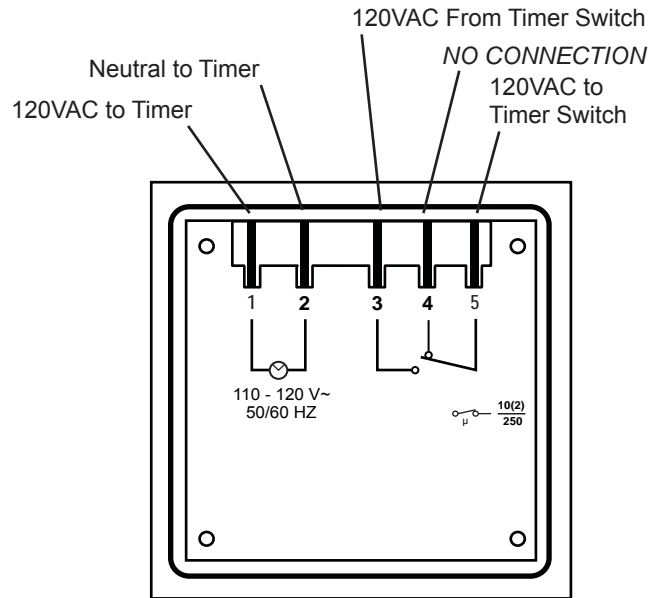
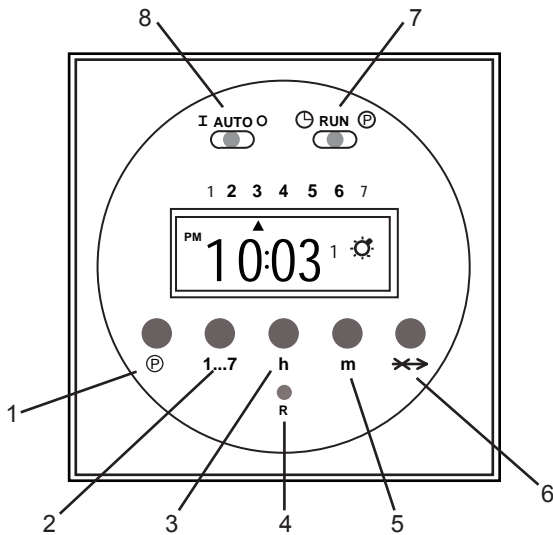
An internal backup keeps the time of day clock running for up to about 2 hours after losing line voltage. Once the time of day displays turns off, you may need to be reset the clock once power is restored. All programmed on and off events will be restored once the power returns.



**Note:** to save programming, time you can set up each on/off cycle;

- A) to be unique for each individual day, or
- B) to repeat Monday through Friday, or
- C) to repeat Saturdays and Sunday only, or
- D) to repeat Monday through Saturday, or
- E) to repeat every day for the entire week

This can save a lot of time when programming the “on” and “off” cycles.



Item	Description		
1	$\text{P}$ Switch Point: press to select the switching points while in programming mode	7	Timer Mode Select: $\text{O}$ = set time of day and day of week, $\text{RUN}$ = clock and automatic program on, $\text{P}$ = program mode
2	$1...7$ Days: press to select the weekday		
3	$h$ Hours: press to set the hours and AM/PM		
4	$R$ Reset: press to delete all settings	8	Operating Mode Select: $I$ = continuous ON, $\text{AUTO}$ = programmed On/Off, $O$ = continuous OFF
5	$m$ Minutes: press to set the minutes		
6	$\leftrightarrow$ Skip: press to immediately reverse the present operating mode		

# amerec Optional 120V Digital Clock For AI Boiler Series Setting Instructions

## Directions:

**Setting the Time of Day:** Slide the RUN switch to ☰

### 1) Setting the current day:

- Press **1...7** and notice a single arrow will move in steps below the numbers 1 to 7, where  
1 = Monday      3 = Wednesday      5 = Friday      7 = Sunday  
2 = Tuesday      4 = Thursday      6 = Saturday
- *Keep the button pressed for more than 2 seconds to use the fast setting mode.*
- Set the current day of the week.

### 2) Setting the current time:

- Press the **h** button to set the current hours and the **m** button to set the current minutes.  
The time will display in a 12 hour format with AM and PM.

Slide the RUN switch back to RUN. The clock colon will blink between the hours and minutes when showing the time of day.

**Programming an ON/OFF cycle:** Slide the RUN switch to ☰ Note: *days may be selected individually or in groups. When the 1...7 button is pressed while programming a ON/OFF cycle, it first selects individual days 1 to 7, then repeat for days 1 to 5 (Mon-Fri), then repeat for days 6 & 7 (Sat & Sun only), the days 1 to 6 (Mon-Sat) then all days 1 to 7 (Mon-Sun)*

### 1) Setting each cycle to “switch on”

- A “1” to the right of the time display indicates this is the first switch cycle and the ☰ icon indicates the cycle starts with a switch-on condition (circuit closes). (Hint: odd numbers always indicate a “switch-on” cycle.)
- Press **h** and **m** buttons to set the switch-on time, noting the AM/PM indicator.
- Press the **1...7** button until the day arrow points to the selected day or days you want this ON cycle to occur. (see “Note” above instructing how to choose days of the week)
- When done, press the ☰ (left of **1...7**) to save the on cycle setting and go to the off cycle setting.

### 2) Setting each cycle to “switch off”

- A “2” to the right of the time display indicates this is the first switch off cycle and the ☰ icon will not appear. The cycle starts with a switch-off condition (circuit opens). (Hint: even numbers always indicate a “switch-off” cycle.)
- Press **h** and **m** buttons to set the switch-off time, noting the AM/PM indicator.
- Press the **1...7** button until the day arrow points to the selected day or days you want this OFF cycle to occur. (see “Note” above instructing how to choose days of the week)
- When done, press the ☰ (left of **1...7**) to save the off cycle setting and go to the next on cycle setting. If done with settings, slide the RUN switch back to RUN to resume normal operation.

3) To modify or review a switch point, while in programming mode, press the ☰ (left of **1...7**) until the switch point you want to change is displayed then repeat step 1 or 2 above.

- We recommend setting a switch off point immediately after setting the switch on point to avoid errors and the same when deleting switch points.
- You may repeat the above steps to program up to 8 on/off cycles (16 switch points) in any 24 hour period. By using blocks of days, you may have up to 112 switch points per week.

Slide the RUN switch back to RUN. The clock colon will blink between the hours and minutes when showing the time of day.

**Automatic Operation:** With the slide switches set switch to RUN and AUTO the time of day will be displayed and the load will be turned on or off according to the programmed switch times.

## Manual Operation:

- Slide the AUTO switch to **I** and the load will be turned on. This switch over-rides and programmed switchings.
- Slide the AUTO switch to **O** and the load will be turned off. This switch over-rides and programmed switchings.

**Skip cycle:** While in AUTO and RUN mode, a programmed on or off point can be temporarily overridden using the skip button. Pressing the ⚡➡ button while the a program has turned the load on will immediately turn the load off until the next programmed on time. Pressing the ⚡➡ button while the load is off will turn the load on until the next programmed off time.

**Clear/Reset All:** Pressing the R button will clear all programmed switch settings and the time and day. A pen is required to press this button so it cannot be pressed by accident.