

STEAM GENERATOR DRIP PAN

FOR USE WITH AX AND AK STEAM GENERATORS
SPECIFICATION SHEET

MODEL: ADP GENERATOR DRIP PAN

Features

- Stainless Steel construction with welded corners.
- Stainless Steel supports to hold generator up off the bottom of the pan.
- 3/4" NPT threaded stainless steel drain fitting.

Installation

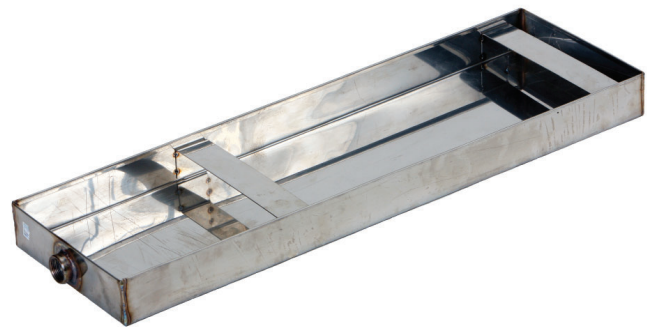
- Place drip pan on a flat surface suitable for the steam generator.
- Connect 3/4" outlet fitting in pan and connect to a plumbing system drain line per local code.
- Do not drain water from generator drain valve directly into drip pan.



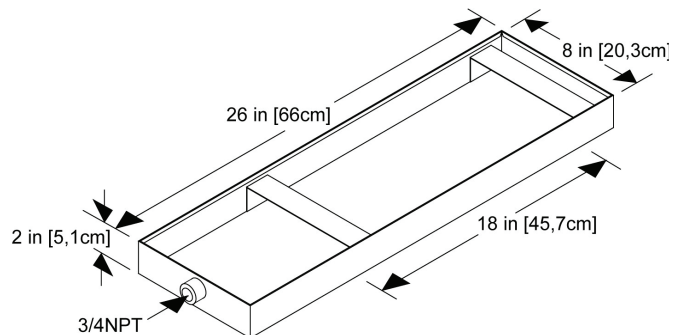
Installation View

Item Number:

ADP Generator Drip Pan 9210-110



ADP Generator Drip Pan



Not intended for use as installation instructions.
Refer to specific generator model installation
instructions for further details.

AMEREC STEAM
P.O. Box 2258 | 17683 128th Place NE, #C | Woodinville, WA 98072, USA
Toll-Free 1-800-331-0349
amerec@amerec.com | www.amerec.com

Amerec reserves the right to change specifications and design without notice.
© 2019 Amerec Steam

amerec[®]
STEAM SAUNA SOLUTIONS