

# SHOWER SEAT

## SPECIFICATION SHEET

MODEL: TEAK SEAT

### Features

- 20" x 13" Teak wood seating area.
- Wall mount, fold down shower seat.
- Maximum weight capacity of 300 lbs. when installed in accordance with instructions on a wall (2x4 or 2x6 blocking) strong enough to support 300 lbs.

### Installation

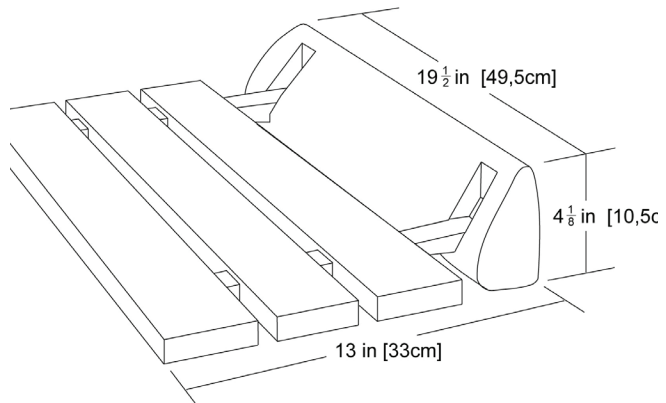
- Seat attaches to suitable shower wall with mounting plate and hardware.
- To be used only for sitting, not to be used for other purposes.

### Item Number:

Teak Shower Seat with mounting plate and hardware.  
9270-029 Teak seat.



Teak Fold Down Seat



Refer to specific installation instructions for further detail.

AMEREC STEAM  
P.O. Box 2258 | 17683 128th Place NE, #C | Woodinville, WA 98072, USA  
Toll-Free 1-800-331-0349  
amerec@amerec.com | www.amerec.com

Amerrec reserves the right to change specifications and design without notice.  
© 2017 Amerrec Steam

**amerec**<sup>®</sup>  
STEAM. SAUNA. SOLUTIONS.