



## Performance Specifications

Parameter	Conditions	Values			Unit
		MIN	TYP	MAX	
Frequency Range		5		100	MHz
Initial Tolerance	@ +25°C±1°C			±100	ppb
Warm Up Time	To initial tolerance			3	Min
Frequency Stability					
vs. Temperature	See Options (Max) Referenced to +25°C		±20, ±50, ±100		ppb
vs. Load	± 5% Δ in Load		±2		ppb
vs. Supply Voltage	± 5% Δ in supply		±2		ppb
ADEV (Short Term Stability)	T = 1 second		5E-12		
Aging					
Per Day	After 30 Days Operation			±1.0	ppb
1 <sup>st</sup> Year				±100	ppb
Supply Voltage (Vdd)					
	Option D	3.13	3.3	3.47	Vdc
	Option E	4.75	5	5.25	Vdc
Power Dissipation					
Start Up	@ +25°C			4	W
Steady State	@ +25°C		1.5		W
Electronic Frequency Control					
			V <sub>center</sub>		
Voltage Range	3.3V Supply	0	1.65	3.3	Vdc
	5V Supply	0	2.5	5	Vdc
Frequency Range	See Options (Min)	±0.5,±1			ppm
Slope			positive		
Input Impedance			100		kΩ
Linearity			10		%

Note: Values typical of 10MHz units unless otherwise specified

**DISCLAIMER:** Bliley Technologies, Inc. reserves the right to make changes to the product(s) and/or information contained herein without notice. No liability is assumed as a result of their use or application. No intellectual property rights accompany the sale or delivery of any such product(s) or information.

## Performance Specifications

Parameter	Conditions	Values			Unit
		MIN	TYP	MAX	
Output Characteristics (CMOS/TTL)		MIN	TYP	MAX	
High Output Level	Logic "1"	80% Vdd			Vdc
Low Output Level	Logic "0"	10% Vdd			Vdc
Rise/Fall Time		10			nSec
Duty Cycle		45	50	55	%
Load		15			pF
Output Characteristics (Sinusoid)		MIN	TYP	MAX	
Output Level		9.0			dBm
VSWR	Into 50 $\Omega$	1.5:1			
Harmonics		-30			dBc
Load		45	50	55	$\Omega$

Parameter	Conditions	Values		Unit	
		TYP	TYP		
Phase Noise		TYP	TYP		
Phase Noise (10 MHz)	Tested at +25°C	Sinusoid	CMOS		
		1Hz	-80	-80	dBc/Hz
		10Hz	-120	-120	dBc/Hz
		100Hz	-140	-140	dBc/Hz
		1kHz	-145	-145	dBc/Hz
		10kHz	-150	-150	dBc/Hz
		100kHz	-155	-155	dBc/Hz
Phase Noise (100 MHz)	Tested at +25°C	Sinusoid			
		10Hz	-90		dBc/Hz
		100Hz	-120		dBc/Hz
		1kHz	-145		dBc/Hz
		10kHz	-150		dBc/Hz
		100kHz	-160		dBc/Hz

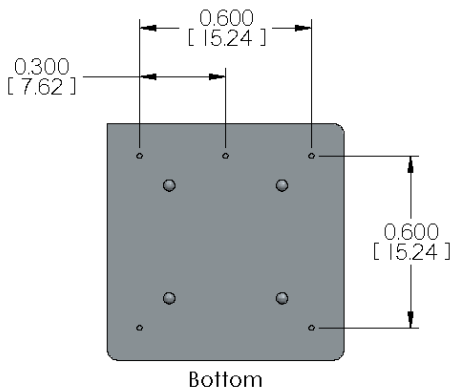
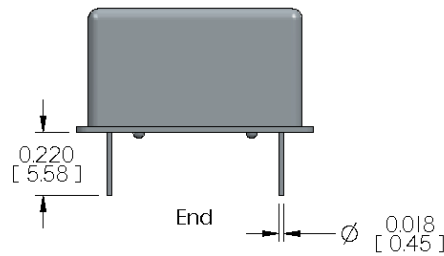
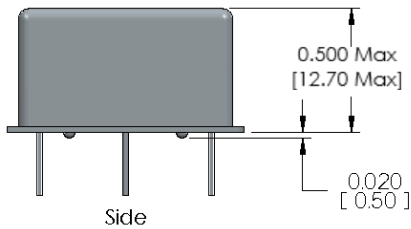
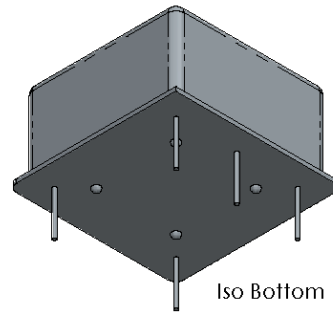
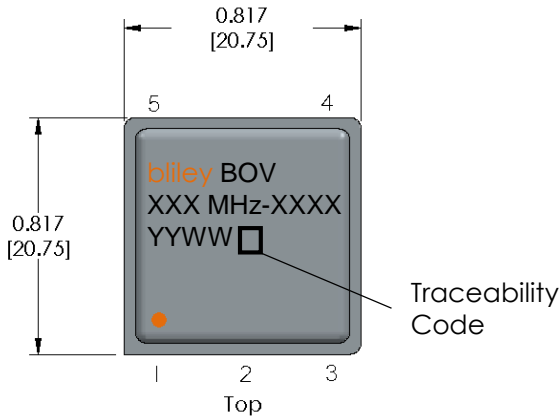
Note: Values typical of 10MHz units unless otherwise specified

**DISCLAIMER:** Bliley Technologies, Inc. reserves the right to make changes to the product(s) and/or information contained herein without notice. No liability is assumed as a result of their use or application. No intellectual property rights accompany the sale or delivery of any such product(s) or information.

## Environmental Compliance

Parameter	Conditions	Values			Unit
		MIN	TYP	MAX	
Operating Temperature	Option B	-20		+70	°C
	Option C	-40		+85	°C
Storage Temperature		-40		+100	°C
Seal	MIL-STD-202 Method 112 Test Condition D				
Mechanical Shock	MIL-STD-202, Method 213, Test Condition J				
Vibration	MIL-STD-202, Method 201				

# Physical Specifications (Through Hole)

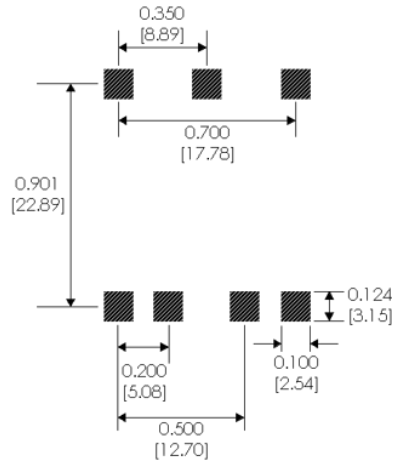
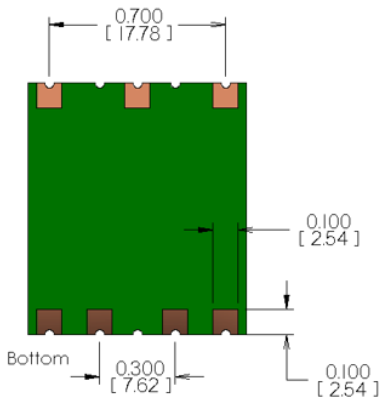
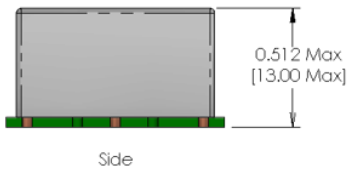
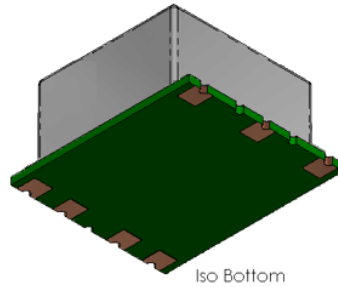
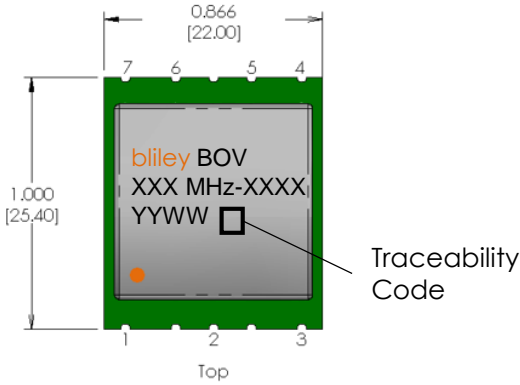


PIN	FUNCTION
1	Supply Voltage
2	RF Output
3	Ground
4	EFC/N.C.
5	N.C.

Tolerances (mm) .X = ± 0.5, .XX = ±0.2 unless otherwise specified

Notes:  
 • Non-RoHS available upon request

# Physical Specifications (Surface Mount)



Recommended Landing Pattern

PIN	FUNCTION
1	Supply Voltage
2	RF Output
3	Ground
4	EFC/N.C.
5	N.C.

Tolerances (mm) .X = ± 0.5, .XX = ±0.2 unless otherwise specified

Notes:  
 • Non-RoHS available upon request