



FEATURES

- ✓ 135mW steady state power
- ✓ 350mW start-up power
- ✓ -125dBc/Hz @ 10Hz phase noise
- ✓ 0.5ppb/g acceleration sensitivity
- ✓ 14-Pin DIP Package

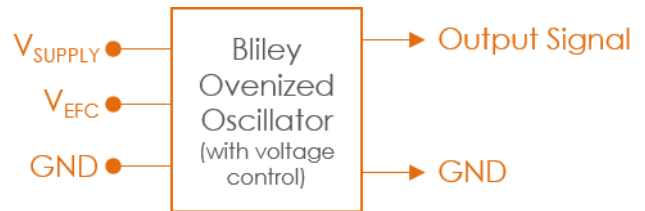
Low Power Oscillator

#blileytakesyoufurther

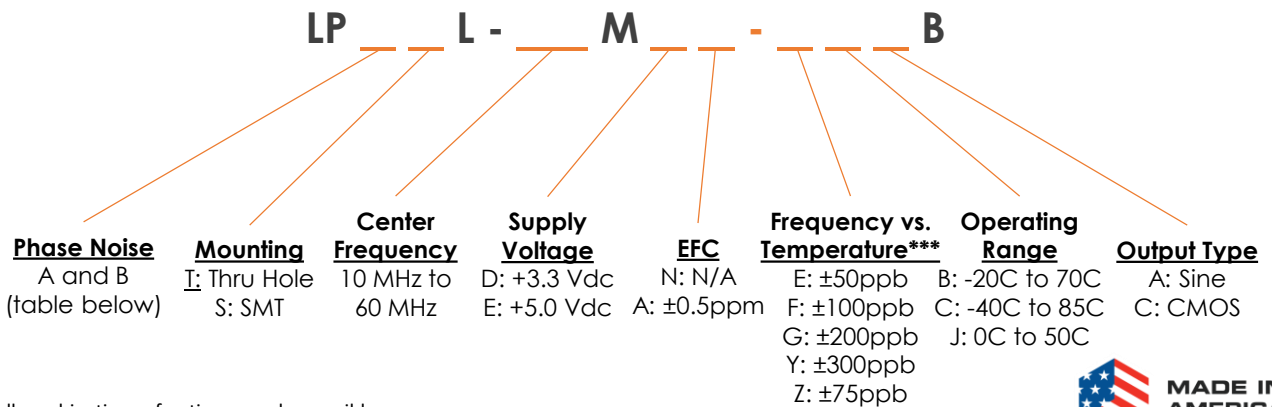
Description

Bliley's 14 Pin DIP Low Power Crystal Oscillator Series offers excellent frequency versus temperature in a compact package for applications where size and power are a concern. The LP series achieves low startup power while maintaining a fast warm up of less than one minute.

Block Diagram



Part Number Configuration



*Not all combinations of options may be possible
**Other options may be available

***See Table on page 3 for stability availability



Performance Specifications

Parameter	Conditions	Values			Unit
		MIN	TYP	MAX	
Frequency Range		10		60	MHz
Initial Tolerance	10-35MHz 36-60MHz			±100 ±200	ppb
Warm Up Time	To initial tolerance			1	Min
Frequency Stability					
vs. Temperature	See Options*** (Max) (Fmax-Fmin)/2	±50, ±75, ±100, ±200, ±300			ppb
vs. Load	± 5% Δ in Load	±25			ppb
vs. Supply Voltage	± 5% Δ in supply	±25			ppb
ADEV (Short Term Stability)	T = 1 second (10MHz)	8E-12			
Aging					
1 st Year	After 30 Days Operation	±100			ppb
20 Years		±500			ppb
Supply Voltage (Vdd)	Option D	3.13	3.3	3.47	Vdc
	Option E	4.75	5	5.25	Vdc
Power Dissipation					
Start Up	@ +25°C	350			mW
Steady State	@ +25°C, 3.3Vdc	135			mW
Steady State	@ +25°C, 5Vdc	180			mW
Electronic Frequency Control					
Voltage Range		0		Vdd	Vdc
Center Voltage	±10%	Vdd/2			Vdc
Frequency Range	See Options (Min)	±0.5			ppm
Slope		positive			
Input Impedance		100			kΩ
Linearity		10			%

*Values typical of 10MHz units

***See Table on page 3 for stability availability

DISCLAIMER: Bliley Technologies, Inc. reserves the right to make changes to the product(s) and/or information contained herein without notice. No liability is assumed as a result of their use or application. No intellectual property rights accompany the sale or delivery of any such product(s) or information.

Performance Specifications

Parameter	Conditions	Values			Unit
		MIN	TYP	MAX	
Output Characteristics (CMOS)		MIN	TYP	MAX	
High Output Level	Logic "1"	90% Vdd			Vdc
Low Output Level	Logic "0"	10% Vdd			Vdc
Rise/Fall Time			10		nSec
Duty Cycle		45	50	55	%
Load			15		pF
Output Characteristics (Sinusoid)		MIN	TYP	MAX	
Output Level			9.0		dBm
Harmonics				-30	dBc
Load		45	50	55	Ω

Temperature Stability Table

	Temp Range	±50					±300					
		±50	±75	±100	±200	±300	Temp Range	±50	±75	±100	±200	±300
10 to 35 MHz	0~50C	X	X	X	X	X	0~50C	N/A	X	X	X	X
	-20~70C	X	X	X	X	X	-20~70C	N/A	N/A	X	X	X
	-40~85C	N/A	X	X	X	X	-40~85C	N/A	N/A	N/A	X	X

Performance Specifications

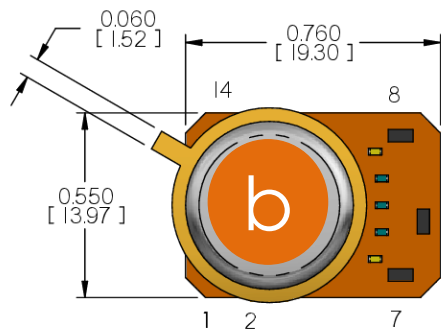
Parameter	Conditions		Values		Unit	
Phase Noise (Sinusoid)			TYP	TYP		
Phase Noise (10 MHz)	Tested at +25°C	Option	A	B		
			10Hz	-125	-120	dBc/Hz
			100Hz	-152	-150	dBc/Hz
			1kHz	-162	-158	dBc/Hz
			10kHz	-165	-162	dBc/Hz
	100kHz	-168	-165	dBc/Hz		
Phase Noise (60 MHz)	Tested at +25°C	Option	A	B		
			10Hz	-95	-90	dBc/Hz
			100Hz	-125	-120	dBc/Hz
			1kHz	-152	-150	dBc/Hz
			10kHz	-162	-158	dBc/Hz
	100kHz	-165	-162	dBc/Hz		
Phase Noise (CMOS)			TYP	TYP		
Phase Noise (10 MHz)	Tested at +25°C	Option	A	B		
			10Hz	-125	-120	dBc/Hz
			100Hz	-148	-145	dBc/Hz
			1kHz	-152	-150	dBc/Hz
			10kHz	-155	-150	dBc/Hz
	100kHz	-160	-155	dBc/Hz		
Phase Noise (60 MHz)	Tested at +25°C	Option	A	B		
			10Hz	-95	-90	dBc/Hz
			100Hz	-125	-120	dBc/Hz
			1kHz	-148	-145	dBc/Hz
			10kHz	-152	-150	dBc/Hz
	100kHz	-155	-150	dBc/Hz		

DISCLAIMER: Bliley Technologies, Inc. reserves the right to make changes to the product(s) and/or information contained herein without notice. No liability is assumed as a result of their use or application. No intellectual property rights accompany the sale or delivery of any such product(s) or information.

Environmental Compliance

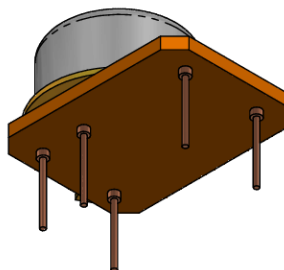
Parameter	Conditions	Values			Unit
		MIN	TYP	MAX	
Environmental & Reliability		MIN	TYP	MAX	
Operating Temperature	Option B	-20		+70	°C
	Option C	-40		+85	°C
	Option J	0		+50	°C
Storage Temperature		-55		+95	°C
Shock	MIL-STD-202 Method 213, Test Condition C	Survive			
Sinusoidal Vibration	MIL-STD-202 Method 204, Test Condition A	Survive			
Random Vibration	MIL-STD-202 Method 214, Test Condition 1B	Survive			
MTTF	Calculated using MIL-HDBK-217	153,300			Hrs
Acceleration Sensitivity	10MHz output Vibration profile: 0.001G ² /Hz 10Hz to 2kHz	0.5			ppb/g

Physical Specifications – Through Hole

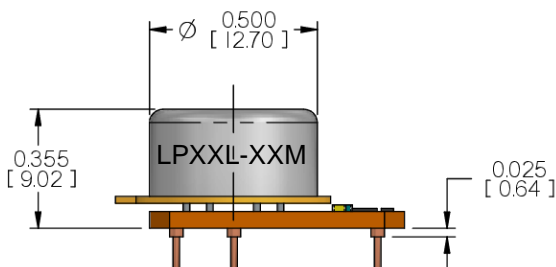


Top

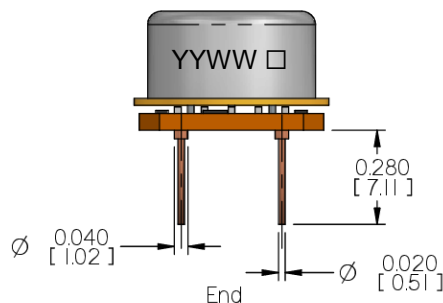
Full part number marked around side of crystal:
LPXXL-XXMXX-XXXB YYWW-SN



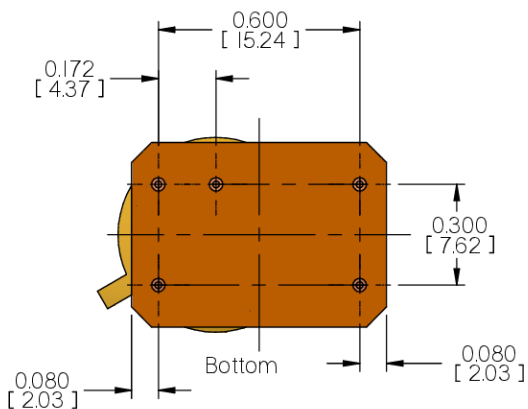
Iso Bottom



Side



End



Bottom

PIN	FUNCTION
1	EFC/N.C.
2	Reference Voltage/N.C.
7	Ground
8	RF Output
14	Supply Voltage

Tolerances (mm) .X = ± 0.5, .XX = ± 0.2 unless otherwise specified

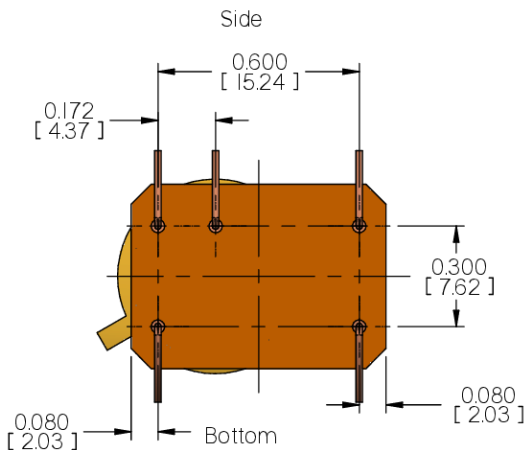
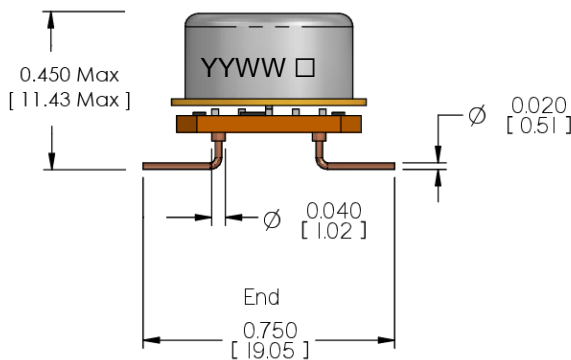
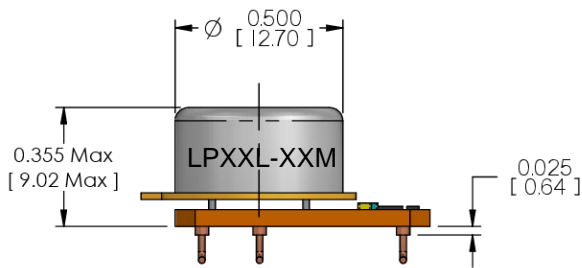
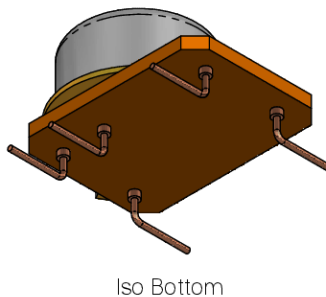
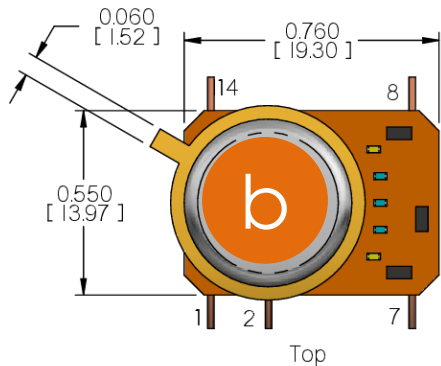


Notes:

- Non-RoHS available upon request

Physical Specifications – Surface Mount

Full part number marked around side of crystal:
LPXXL-XXMXX-XXXB YYWW-SN



PIN	FUNCTION
1	EFC/N.C.
2	Reference Voltage/N.C.
7	Ground
8	RF Output
14	Supply Voltage

Tolerances (mm) .X = ± 0.5, .XX = ± 0.2 unless otherwise specified

Notes:
• Non-RoHS available upon request