



FEATURES

- ✓ High Stability vs. Temperature
- ✓ Quick Warm-Up Time
- ✓ Low Age Rates
- ✓ Low Phase Noise
- ✓ 36x27mm Package

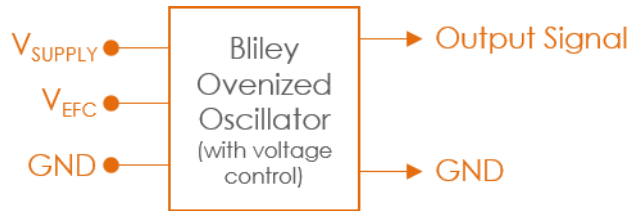
Oven Controlled Oscillator

#blileytakesyoufurther

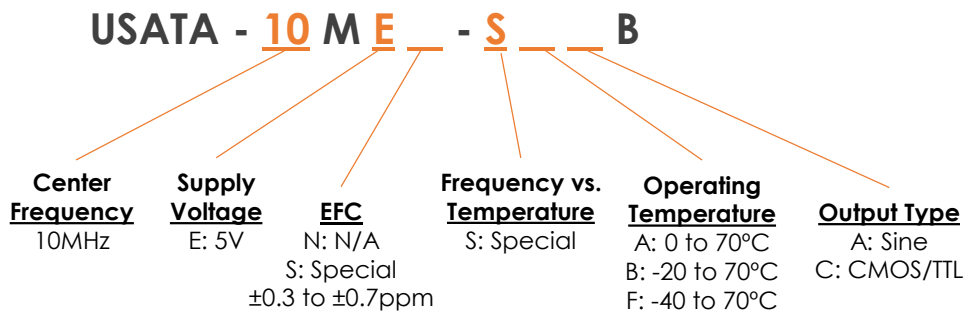
Description

Bliley high performance OXCO product offering is a result of 85 years in the Frequency Control Industry. Modern layout topologies enable Bliley to engineer and produce robust designs for all applications.

Block Diagram



Part Number Configuration



*Not all combinations of options may be possible
 **Other options may be available

Performance Specifications

Parameter	Conditions	Values			Unit
		MIN	TYP	MAX	
Frequency Range			10		MHz
Frequency Stability					
vs. Temperature	See Options (Max) Referenced to +25°C		±0.2 @ 0 to 70°C ±0.3 @ -20 to 70°C ±0.4 @ -40 to 70°C		ppb
vs. Load	± 5% Δ in Load			±1	ppb
vs. Supply Voltage	± 5% Δ in supply			±1	ppb
Aging	1 st Year			±100	ppb
Supply Voltage (Vdd)		4.75	5	5.25	Vdc
Power Dissipation 5Vdc					
Start Up	@ +25°C			9.0	W
Steady State	@ +25°C		3.0		W
Electronic Frequency Control					
Voltage Range		0		5	Vdc
Center Voltage			2.5		Vdc
Frequency Range		±0.3		±0.7	ppm
Slope			positive		
Input Impedance		100			kΩ
Linearity				10	%

Performance Specifications

Parameter	Conditions	Values			Unit
Output Characteristics (Sinusoidal)		MIN	TYP	MAX	
Output Level		3.0	5.0	7.0	dBm
Harmonics				-40	dBc
Spurious				-80	dBc
Load		15pF//50Ω			
Output Characteristics (CMOS)		MIN	TYP	MAX	
High Output Level	Logic "1"	2.4			Vdc
Low Output Level	Logic "0"			0.4	Vdc
Rise/Fall Time				5	nSec
Duty Cycle		45	50	55	%
Load			15		pF

Parameter	Conditions	Values			Unit
Phase Noise		Typ			
Phase Noise	Tested at +25°C				
	1Hz		-90		dBc/Hz
	10Hz		-120		dBc/Hz
	100Hz		-135		dBc/Hz
	1kHz		-145		dBc/Hz
	10kHz		-150		dBc/Hz

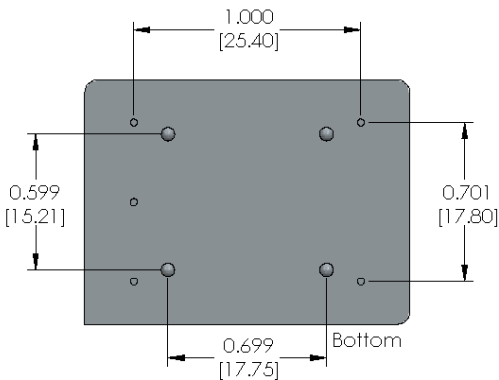
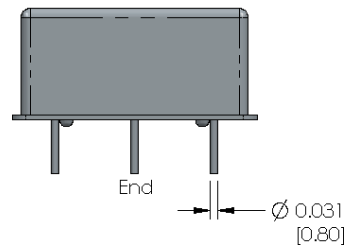
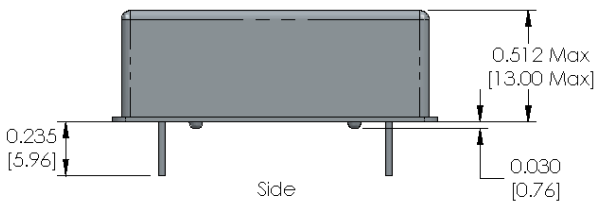
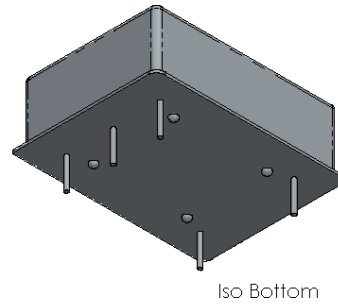
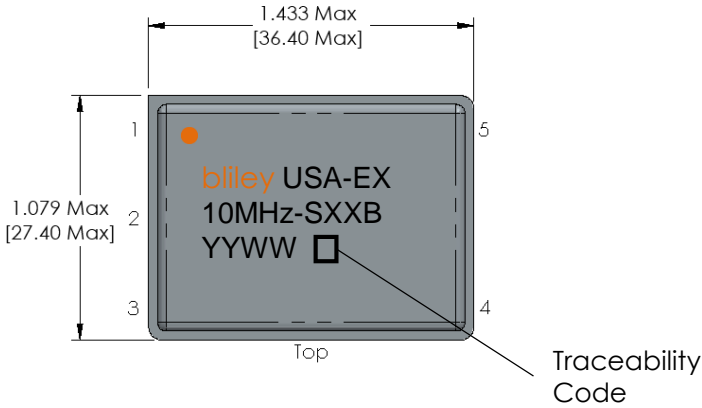
DISCLAIMER: Bliley Technologies, Inc. reserves the right to make changes to the product(s) and/or information contained herein without notice. No liability is assumed as a result of their use or application. No intellectual property rights accompany the sale or delivery of any such product(s) or information.

Environmental Compliance

Parameter	Conditions	Values			Unit
		MIN	TYP	MAX	
Operating Temperature	Option A	0		+70	°C
	Option B	-20		+70	°C
	Option F	-40		+70	°C
Storage Temperature		-55		+100	°C
Seal	MIL-STD-202 Method 112 Test Condition D				
Mechanical Shock	MIL-STD-202 Method 213 Test Condition J				
Vibration	MIL-STD-202 Method 201				

DISCLAIMER: Bliley Technologies, Inc. reserves the right to make changes to the product(s) and/or information contained herein without notice. No liability is assumed as a result of their use or application. No intellectual property rights accompany the sale or delivery of any such product(s) or information.

Physical Specifications



PIN	FUNCTION
1	EFC/N.C.
2	N.C.
3	Supply Voltage
4	RF Output
5	Ground

Tolerances (mm) .X = ± 0.5, .XX = ± 0.2 unless otherwise specified

Notes:
• None

DISCLAIMER: Bliley Technologies, Inc. reserves the right to make changes to the product(s) and/or information contained herein without notice. No liability is assumed as a result of their use or application. No intellectual property rights accompany the sale or delivery of any such product(s) or information.