

**FEATURES**

- ✓ Langatate substrate
- ✓ Custom shapes and sizes
- ✓ Blank or metalized plating
- ✓ Lapped, polished, or etched finishes

**Langatate Transducer Blank**

#blileytakesyoufurther

**Part Number Configuration**

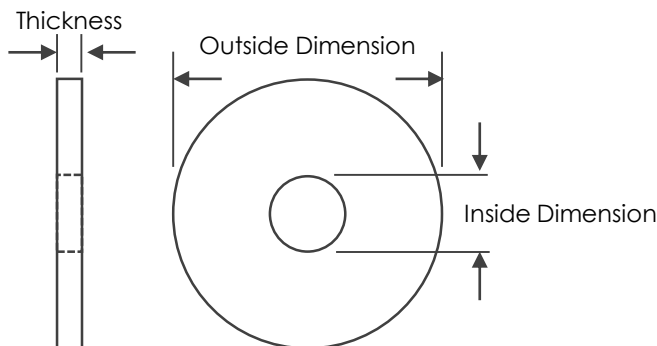
TLGT - - - - -

Cut	Shape	Outside Dimension	Inside Dimension	Thickness	Plating	Finish	Axis Marking
X: X cut Y: Y cut	R: Round S: Square	01: 0.1" to 10: 1.0"	05: 0.05" to 50: 0.50"	01: 0.01" to 10: 0.10"	A: Aluminum B: Blank G: Gold S: Silver	E: Timed Etch L3: Lapping 3µm L5: Lapping 5µm L9: Lapping 9µm P1: Polish 1µm	A: Aluminum B: Bevel F: Flat G: Graphite N: Notch

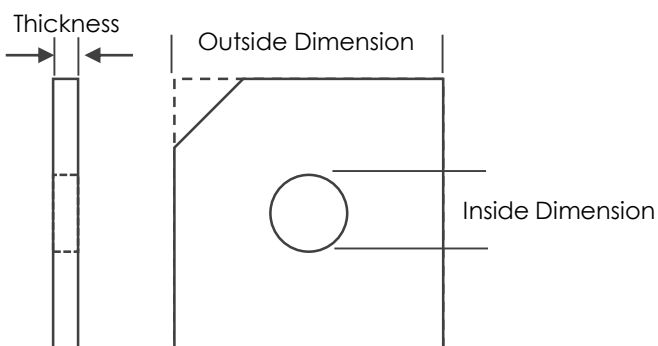
\*Not all combinations of options may be possible  
\*\*Other options may be available

**Physical Specifications**

**Round Blank**



**Square Blank**



- Tolerances unless otherwise specified:
- Outside dimension = ±0.001"
  - Thickness = ± 0.001"
  - Inside dimension = ±0.002"



Notes

**DISCLAIMER:** Bliley Technologies, Inc. reserves the right to make changes to the product(s) and or information contained herein without notice. No liability is assumed as a result of their use or application. No intellectual property rights accompany the sale or delivery of any such product(s) or information.