

### FEATURES

- ✓ Quartz substrate
- ✓ Custom shapes and sizes
- ✓ Blank or metalized plating
- ✓ Lapped, polished, or etched finishes

## Quartz Transducer Blank

#blileytakesyoufurther

## Part Number Configuration

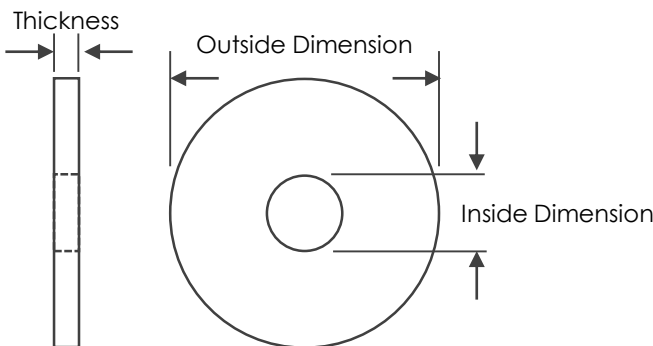
TQZT - - - - -

<u>Cut</u>	<u>Shape</u>	<u>Outside Dimension</u>	<u>Inside Dimension</u>	<u>Thickness</u>	<u>Plating</u>	<u>Finish</u>	<u>Axis Marking</u>
A: AC	R: Round	01: 0.1"	05: 0.05"	01: 0.01"	A: Aluminum	E: Timed Etch	A: Aluminum
B: AT	S: Square	to	to	to	B: Blank	L3: Lapping 3µm	B: Bevel
C: IT		25: 2.5"	50: 0.50"	10: 0.10"	G: Gold	L5: Lapping 5µm	F: Flat
D: SC					S: Silver	L9: Lapping 9µm	G: Graphite
X: X cut						P1: Polish 1µm	N: Notch
Y: Y cut							
Z: Z cut							

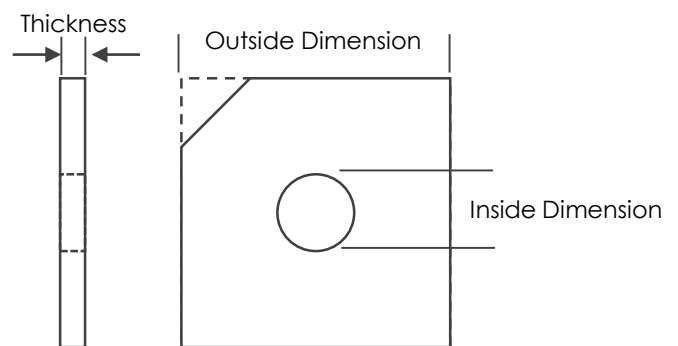
\*Not all combinations of options may be possible  
\*\*Other options may be available

## Physical Specifications

### Round Blank



### Square Blank



Tolerances unless otherwise specified:

- Outside dimension = ±0.001"
- Thickness = ± 0.001"
- Inside dimension = ±0.002"



Notes

**DISCLAIMER:** Bliley Technologies, Inc. reserves the right to make changes to the product(s) and/or information contained herein without notice. No liability is assumed as a result of their use or application. No intellectual property rights accompany the sale or delivery of any such product(s) or information.