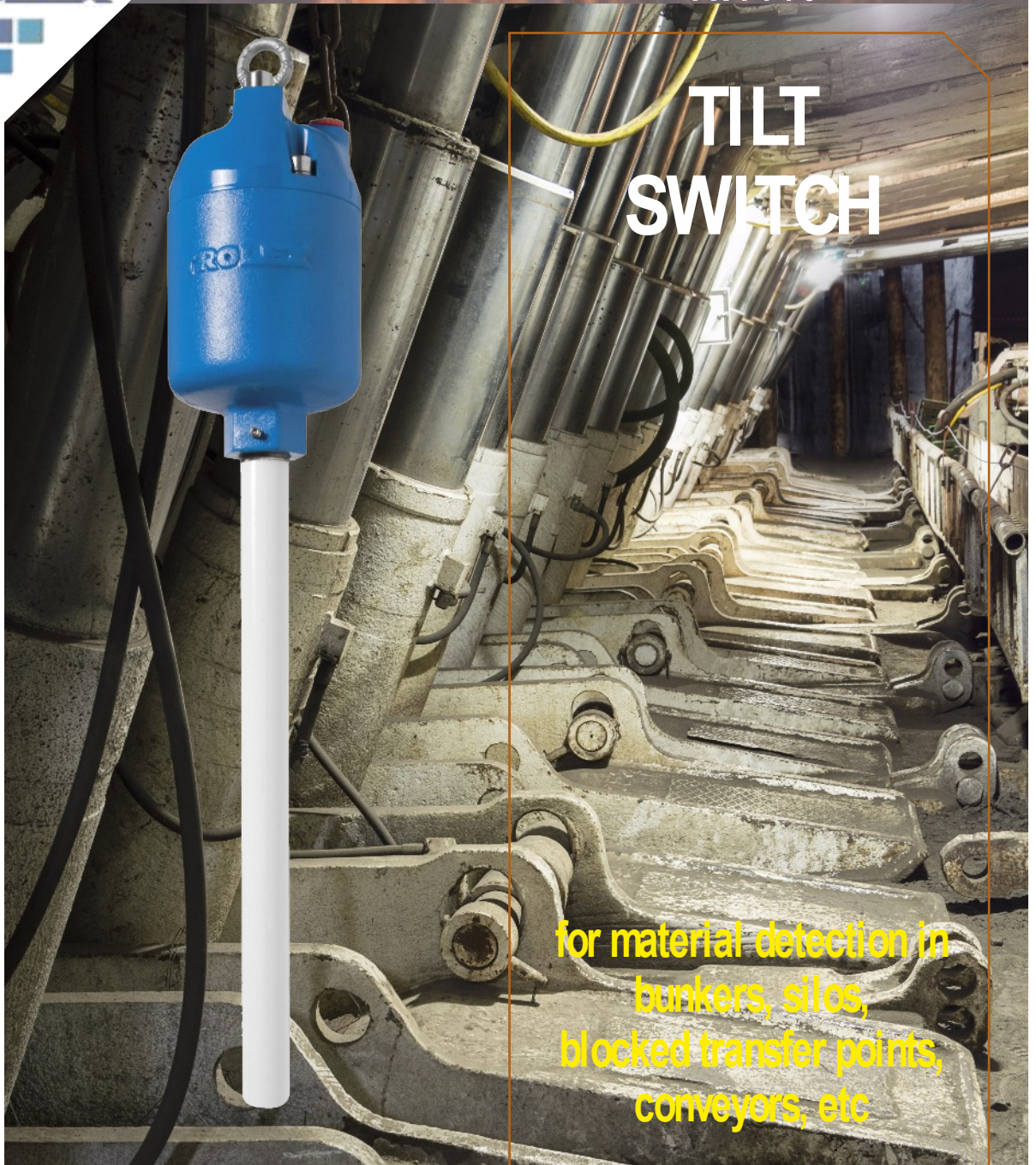
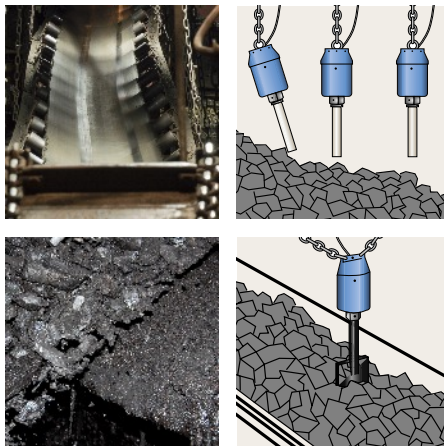


TILT SWITCH



for material detection in bunkers, silos, blocked transfer points, conveyors, etc

TUNNELLING
•
MINING
•
QUARRIES
•
MATERIALS HANDLING
•
CONVEYOR SYSTEMS



versatile

- The housing, suspended by a chain, is tilted by a build-up of solid materials: coal, stone, aggregate, etc.
- A choice of extension rods and paddles is available for different applications.

rugged

- The heavy duty cast body is resistant to shock and impact.

high capacity

- The tilt switch benefits from high capacity time delay contacts.

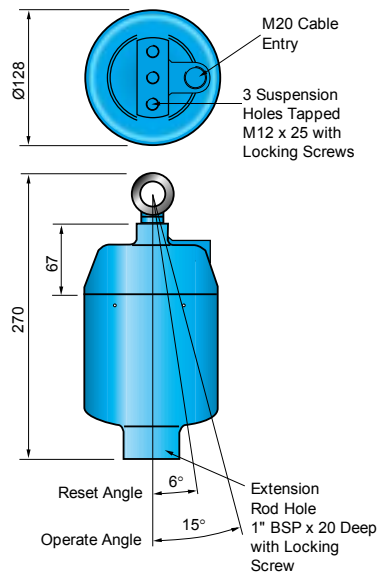


...simple
safety
monitoring

technical data...

Contact Switching Point:	15° from vertical – any direction.
Contact Reset Point:	6° from vertical.
Ambient Temp. Limits:	-20...100°C.
Housing Material:	S.G. Iron.
Protection Classification:	Dust and waterproof to IP65.
Electrical Connection:	M4 barrier terminals.
Nett Weight:	10Kg.

Dimensions



ALL DIMENSIONS IN MM



electrical data...

Contact Operation:



The contacts are shown with the switch in the vertical position.

Changeover occurs after an adjustable time delay when the switch is tilted.

Time delay 0.2...30 seconds.

Contact Rating: 230V ac, 5 Amps.

order reference...

- TX1115 TILT SWITCH**
- TX1190 ROD EXTENSION**
- TX1191 PADDLE EXTENSION**
(State length required in metres)
- TX1192 SUSPENSION CHAIN**
- TX1193 'D' SHACKLE**
(For Suspension Chain)

TROLEX LIMITED
NEWBY ROAD, HAZEL GROVE, STOCKPORT,
CHESHIRE SK7 5DY, UK

+44 (0)161 483 1435

sales@trolex.com

www.trolex.com