

Flexiprobe

Heavy duty limit switch for use in the most arduous operating environments

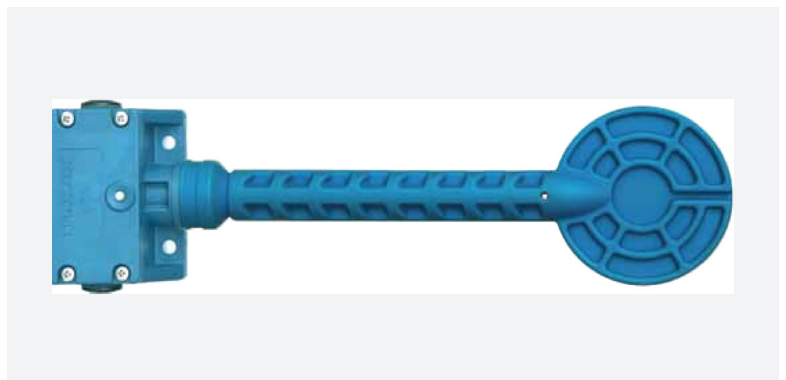
Environments: Mining • Quarries • Materials handling • Plant machinery • Process plants • Conveyor systems

Features

- Rugged housing moulded in impact resistant reinforced Nylon 66
- Dust tight and waterproof to IP67 standards
- Heavy duty 10 Amp rated contact at 300 V ac
- Large easy access connecting terminals
- 2 x M20 threaded cable entries
- Flexiprobe is available with contacts that latch on activation - reset using the pushbutton on the housing cover
- Can be used for:
 - Heavy duty limit switching
 - Position sensing
 - Movement detection
 - Safety interlocks
 - Level detection
 - Conveyor protection
 - Vehicle detection

Benefits

- No electronics involved, just a very heavy duty directly operated contact, housed in a solidly constructed waterproof housing
- A supremely economical solution to a thousand tough switching problems
- Simple in function with low cost maintenance and unsurpassed reliability in the most extreme working environments
- Almost indestructible high flex urethane polymer actuator with exceptional flex recovery characteristics and high resistance to wear and tear
- Corrosive resistant materials - totally sealed against ingress



Functional Overview

The highly resilient flexible probe operates when deflected in any direction. There are no springs and wires to corrode or fatigue. No adjustment is necessary and the probe can be cut to the required length.

It is capable of withstanding repeated flexing beyond its activation point, and is designed to operate in the most extreme working conditions: mining, quarries, material handling plants, vehicle control, process plants and conveyor systems.

The robust moulded housing is completely dust and watertight and has exceptional shock and impact resistance. There is a choice of cable entries with large easy connect terminals and generous working access inside the housing.

The Flexiprobe can be set for self reset or latching operation.

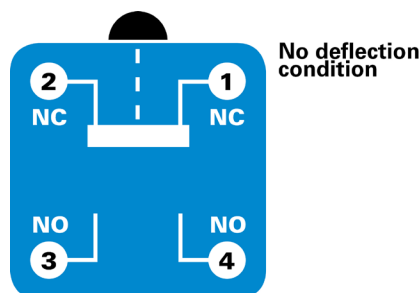
A range of rollers, paddles and pull lines make the Flexiprobe adaptable to almost any application limited only by the ingenuity of the user. Accessories can be fitted in seconds by insertion into the end of the Flexiprobe.



Technical Information

Switching point:	15° deflection
Connections:	4 mm barrier terminals
Housing material:	Reinforced polymer
Probe material:	Flexible, wear resistant urethane with high recovery modulus
Operating temperature range:	-20 to 100°C
Protection class:	IP 67
Nett weight:	0.5 kg
Maximum current:	10 Amps
Maximum voltage:	300 V ac

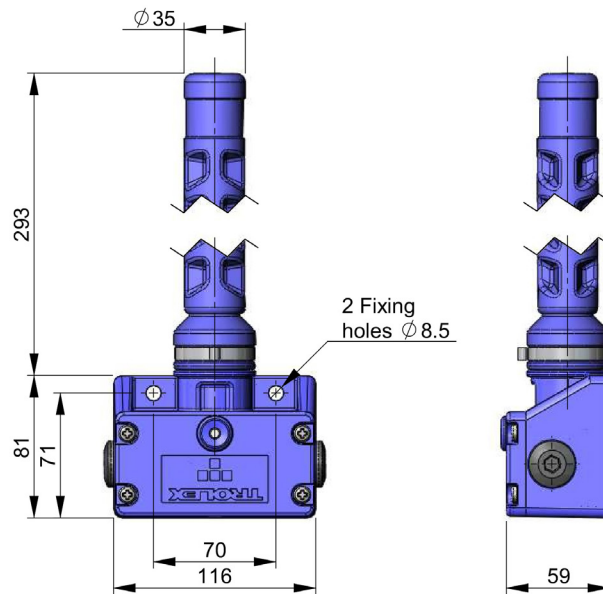
Electrical Connections





TX5520 Data Sheet

Dimensions



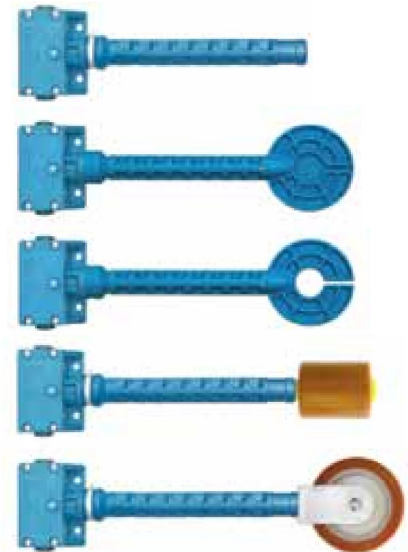
Order Reference

TX5521	Flexiprobe and straight actuator
TX5522	Flexiprobe and lollipop actuator
TX5523	Flexiprobe and ring actuator
TX5525	Flexiprobe and roller actuator
TX5526	Flexiprobe and trailer actuator

When ordering, please specify (01) non-latching function (eg TX5522.01) or (02) latching function (eg TX5522.02).

Please contact the Trolex Sales Team for further information and advice:

+44 (0)161 483 1435
sales@trolex.com



Certification

Considered to be simple apparatus under the ATEX scheme, in accordance with EN 60079-11 clause 5.7.

Copyright and Trademarks

© 2014 Trolex® Limited.

Trolex is a registered trademark of Trolex Limited. The use of all trademarks in this document is acknowledged.

Document history: Issue 01 14 February 2014 Original publication of this document

Trolex Limited

Newby Road, Hazel Grove, Stockport, Cheshire SK7 5DY, United Kingdom
+44 (0)161 483 1435 sales@trolex.com www.trolex.com

TROLEX