

Extra Large Display Methane Monitor

Safety monitoring of methane gas hazards in mining and tunnelling

Environments: Mining • Tunnelling • Mineral extraction and monitoring • Hazardous areas

Features

- High-accuracy, catalytic combustion, replaceable gas sensor
- High-visibility safety monitoring of methane gas hazards in mining and tunnelling applications
- High-visibility, illuminated 100 mm character display
- High-strength stainless steel housing
- Arduous duty in exposed locations
- Convenient and secure zero and span calibration
- Ex ia Group I approved to operate with standard approved 12 V dc mining power supplies
- Available with a remote gas sensing head, with flexible armoured conduit up to 10 m long



Benefits

- Quick-release gas sensing head means quick replacement and maintenance
- High-brightness LED display readout with 100 mm characters for distance viewing
- Large character display, coupled with the proven Trolex gas sensing technology, gives high-visibility information of gas concentration even in totally dark conditions
- Robust stainless steel housing is sealed against dust and moisture to IP65 standard and is EMC protected
- Convenient mounting where space to fit sensors is restricted
- Two adjustable set point output contacts with LED status indicators for controlling local plant equipment and alarm warning devices



Functional Overview

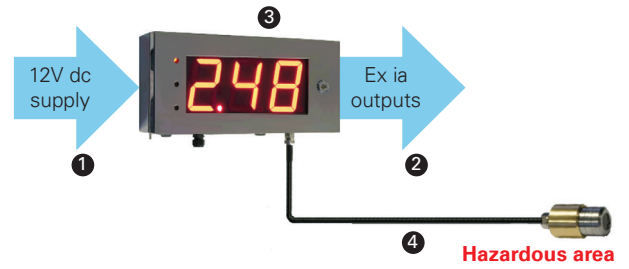
The robust metal housing of the gas sensor is dustproof and waterproof. It uses a poison-resistant catalytic combustion sensor to monitor flammable gases present in the atmosphere.

The sensor responds to most flammable gases and vapours to varying degrees and is normally calibrated to methane in terms of % volume.

The relatively large mass of the sensing element assures a long and reliable operating life with exceptional stability, even in conditions of high vibration. The natural life of the sensor is about five years depending upon the monitoring conditions and it can be quickly replaced and serviced at the end of its operating life.

You can easily view gas concentration on the bright light emitting display, even in extremely low ambient light conditions.

Trolex can provide calibration for other flammable gases.



Technical Information

1	Supply:	8.5 to 14.4 V dc
	Current consumption:	160 mA (typical)
2	Output:	2 normally open contacts (held closed when system is healthy)
	Alarm output contacts:	Contact rating: Maximum current: 1 A Maximum voltage: 230 V ac Suitable for switching approved intrinsically safe circuits RL1: Independently adjustable setpoint for Warning alarm RL2: Independently adjustable setpoint for High alarm
	Electrical connections:	4 mm barrier / clamp terminals 2 x M20 x 1.5 cable entries
	Display:	7 segment, high brightness LED. 100 mm characters
	Ambient temperature limits:	-10 to +40 °C
	Humidity:	95% non-condensing
	Storage temperature limits:	-20 to +60 °C
	Ambient pressure limits:	1 bar ± 100 mbar absolute
	Vibration limits (BS2011):	10 to 100 Hz: 0.25 mm peak 100 to 600 Hz: 2 g peak
3	Housing materials:	Housing: Fabricated stainless steel Gas sensor: Machined stainless steel and brass Gas sensor connection: Flexible armoured conduit, PVC coated
	Protection classification:	Housing: IP65 Gas inlet port: IP54
	Weight:	450 g
	Impact limits:	20 joules (housing)

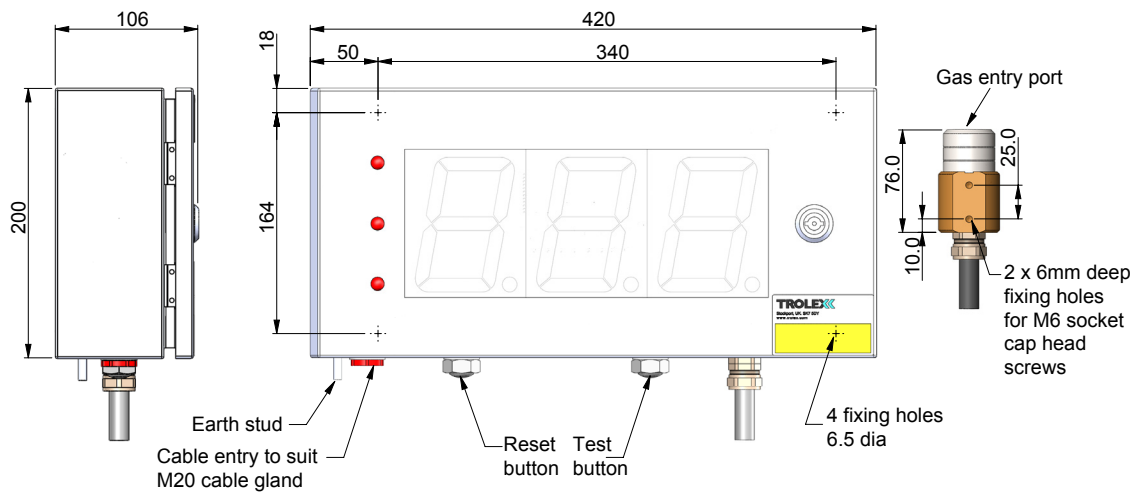
4 Gas Sensing Module

Sensing range:	0 to 4% v/v. Calibrated for methane (CH ₄)
Sensing principle:	Catalytic combustion
Linearity:	Linear: 0 to 3% v/v ± 0.2% v/v: 3 to 4% v/v
Drift :	± 0.25% v/v per month (at 25°C)
Response time (T90)*:	< 20 seconds
Warm up time:	< 5 minutes in air or 1% v/v CH ₄ (to 95% stated accuracy)
Operating life:	> 5 years**

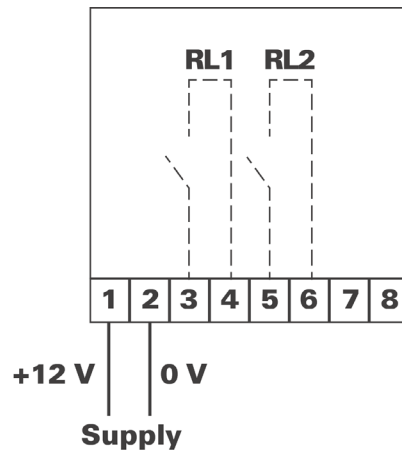
* T90 = Time to 90% of final value: ** In clean air

Dimensions

(all dimensions shown in mm)



Connections



RL1: Setpoint 1 - Warning alarm
RL2: Setpoint 2 - High alarm

Note: Contacts shown in the alarm or de-energised condition.

Order Reference

TX6387 Extra large display high visibility methane monitor with remote gas sensing module.

Please contact the Trolex Sales Team for further information and advice:

+44 (0)161 483 1435
sales@trolex.com



Certifications

Ex certified for Group I applications:



Europe:

Ex Certificate Number: Baseefa 12ATEX0060
Ex Certification Code: I M1 Ex ia I Ma



ATEX directive 94/9/EC



Australia (IECEX):

Ex Certificate number: IECEx TSA 11.0047X
Ex Certification Code: Ex ia I Ma



Russia (Customs Union):

Ex Certificate number: TC RU C-GB.ГБ05.B.00356
Ex Certification Code: PO Ex ia I Ma

Copyright and Trademarks

© 2015 Trolex® Limited.

Trolex is a registered trademark of Trolex Limited. The use of all trademarks in this document is acknowledged.

Document history:	Issue 03	6 May 2014	Third publication of this document
	Issue 04	10 June 2015	Fourth publication of this document

Trolex Limited

Newby Road, Hazel Grove, Stockport, Cheshire SK7 5DY, United Kingdom
+44 (0)161 483 1435 sales@trolex.com www.trolex.com