

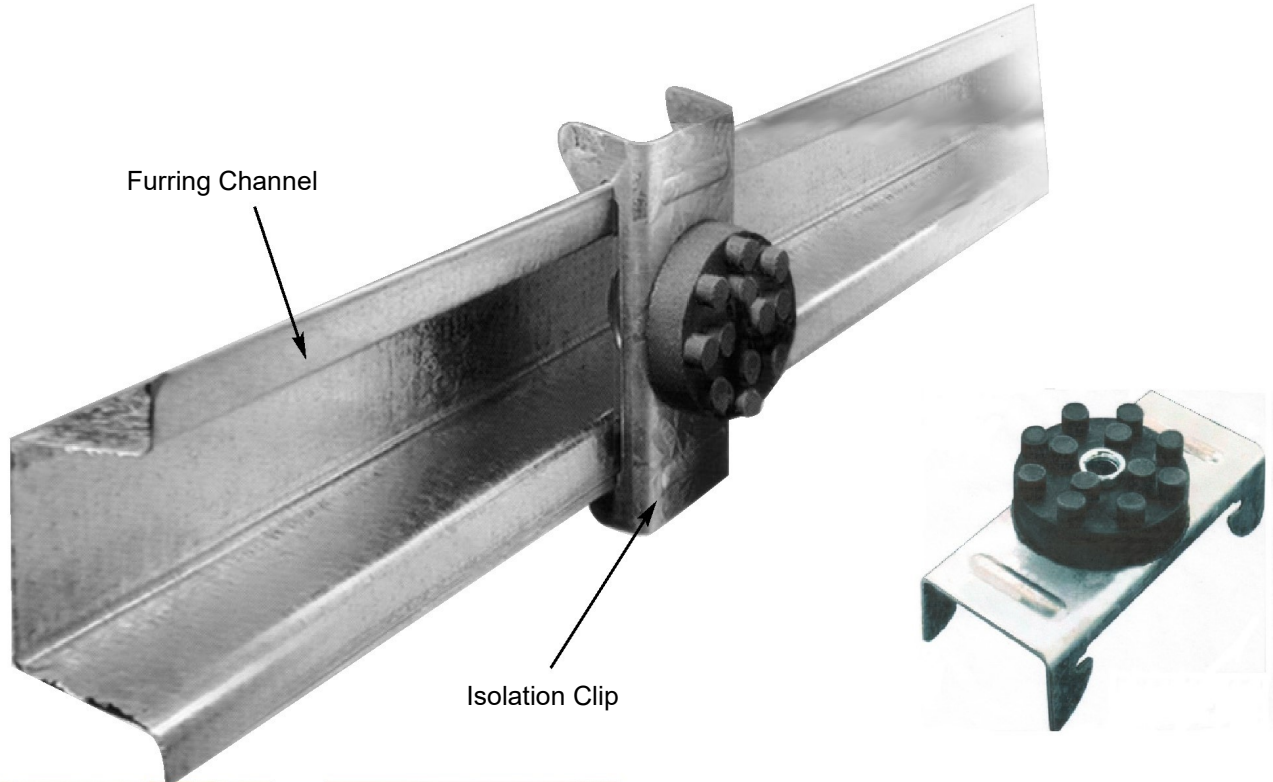


Sound Isolation Clips

Data and Installation Sheet

SOUND ISOLATION CLIPS

For Wall & Floor Ceiling Assemblies



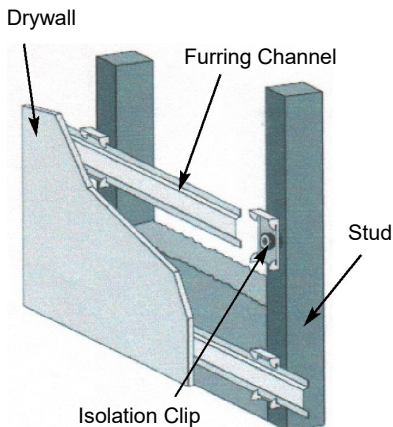
For other product information, technical assistance or ordering, please call
Sonic-Shield at 888-769-0766 or on-line at
www.sonic-shield.com



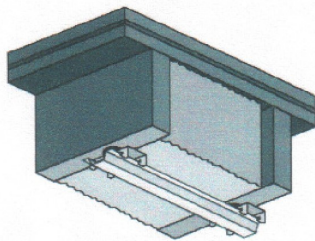
Sound Isolation Clips

Data and Installation Sheet

Walls: One and Two layers of 5/8" Gypsum Board

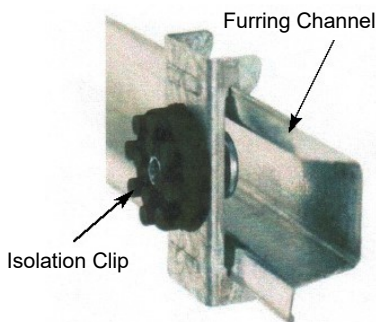


- Sound Isolation Clip shall be 48 inches maximum on center. (horizontal)
- Fasten the Sound Isolation Clip to the the substrate with a fastener approved for a minimum pull-out and sheer of 120 lbs.
- Ensure the internal metal ferrule is tight to the substrate. • Locate the first row of clips within 3 inches from the floor and within 6 inches from the ceiling.
- Snap in the drywall furring channel (hat track) into the clips (horizontal for walls). (see page 2 for splice details).
- Place 1/4" (minimum) shim on floor to fully support the gypsum board.
- Install the gypsum board from the bottom up leaving a 1/4" min. gap around perimeter.
- ONLY remove the shims after ALL the gypsum board is completely screwed to ALL the drywall furring channels. Make sure every screw (floor to ceiling and wall to wall) is installed as required by the assembly design, in every layer of gypsum board before removing the shims at the floor. The shims are critical to ensure best results.
- Caulk around the entire perimeter of the gypsum board. Use fire and smoke rated acoustical sealant where required.



Ceilings One and Two Layers of 5/8" Gypsum Board

- Sound Isolation Clips shall be 48 inches maximum on center.
- Fasten the Sound Isolation Clip to the substrate with a fastener approved for a minimum pull-out and sheer of 120 lbs.
- Ensure the internal metal ferrule is tight to the substrate.
- Locate the first row of clips within 8 inches of the wall at each end of a run.
- Snap in the drywall furring channel (hat track) into the clips.
- Install the gypsum board leaving a 1/4" min. gap around the gypsum board.
- Caulk around the entire perimeter of the gypsum board. Use fire and smoke rated acoustical sealant where required.



General Information:

- Refer to www.UL.com for complete installation details on all fire resistive assembly designs.
- Sound Isolation Clip, furring channel (hat track) and gypsum board shall not carry heavy loads such as cabinets or bookshelves.
- Splice furring channel (hat track) with 6 inch overlap in mid span, secure with 18 gauge tie wire or with two framing screws (7/16").
- Seal all potential air leaks with non-hardening acoustical sealant to achieve best noise control results. Use fire rated sealant where required.
- When attaching the clips to a steel stud the minimum allowable thickness is 20 gauge (0.030).

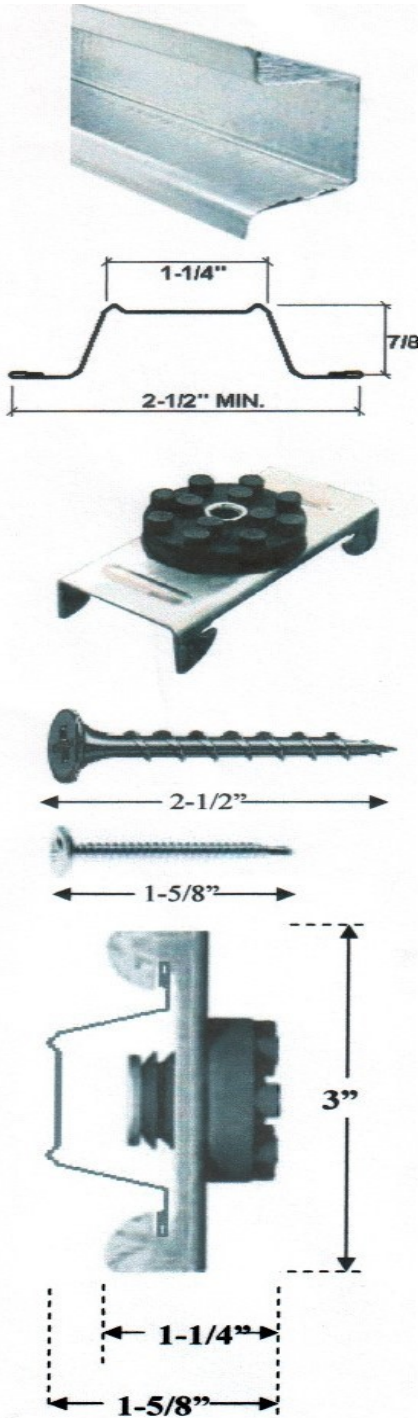
For other product information, technical assistance or ordering, please call
Sonic-Shield at 888-769-0766 or on-line at

www.sonic-shield.com



Sound Isolation Clips

Data and Installation Sheet



Drywall Furring Channel:

- **Minimum Requirements:** 25 gauge, hemmed edge detail required on all 25 gauge furring channel. Meets or exceeds SSMA requirements.
- **Optional:** 22 gauge (no hemmed edge required with 22 gauge).
- **Depth:** 7/8 inch.
- **Width Bottom:** 2-1/2 inch wide minimum
- **Width Top:** 1-1/4 inch wide.

Splice drywall furring channel (hat track) with 6 inch overlap in mid-span (between two clips) secure with 18 gauge tie wire, or two 7/16 inch framing screws.

Sound Isolation Clips:

- **Maximum Spacing:** 48 inches on center.
- **Maximum Acoustical Design Load:** 36 lbs.

Fasteners:

- **Clips to wood:** #8 x 2-1/2 inch minimum size coarse thread screw.
- **Clips to Steel:** #8 x 1-5/8 inch minimum size fine thread screw. (Recommended #12 or #10 x 1-5/8 inch hex head)

DO NOT fasten Sound Isolation Clips to framing members with nails. Use only approved screws.

Clip Dimensions:

- 3 inches tall.
- 1-1/4 inch deep.
- Clip and drywall furring channel 1-5/8 inch deep.

For other product information, technical assistance or ordering, please call Sonic-Shield at 888-769-0766 or on-line at

www.sonic-shield.com