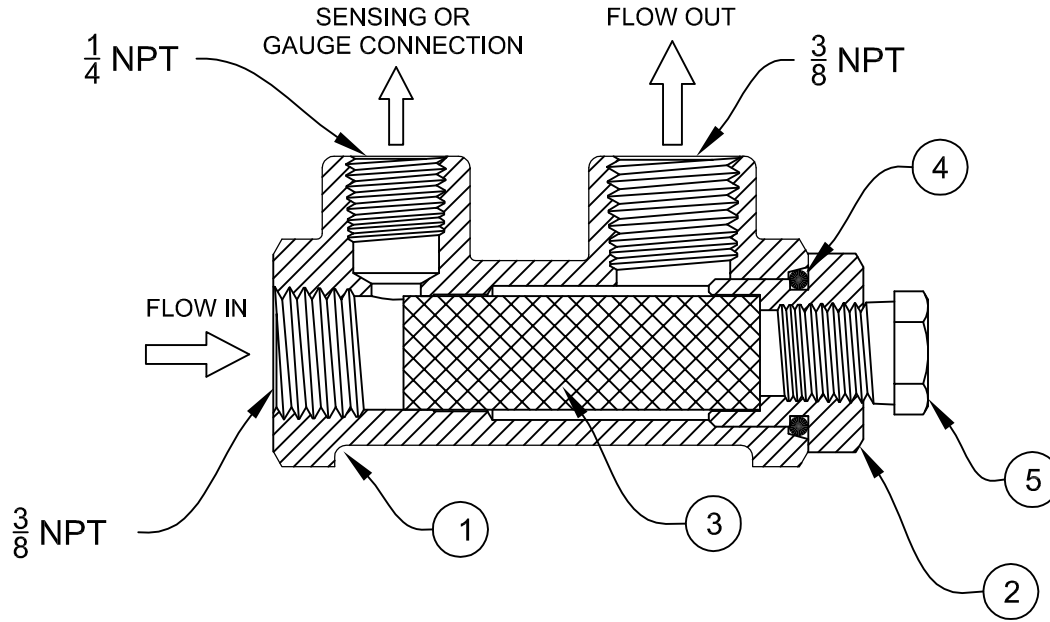
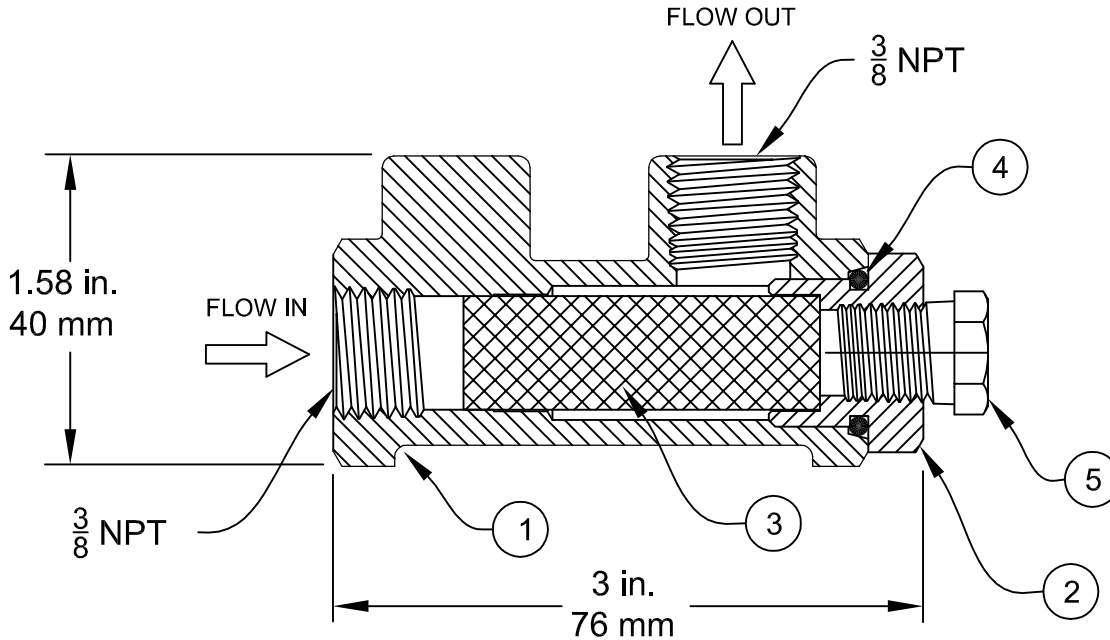


SINGER MODEL J0097B STRAINER



SINGER MODEL J0098B STRAINER



| Item | Description | Material |
|------|----------------------|---------------------|
| 1. | Body | Stainless Steel 316 |
| 2. | Screen Retainer | Stainless Steel 316 |
| 3. | Screen (40 Mesh) | Stainless Steel 316 |
| 4. | Screen Retainer Seal | Buna-N |
| 5. | Blow Down Plug | Stainless Steel 316 |

SINGER VALVE

Result-Based Solutions. Globally.™

www.singervalve.com 12850-87th Avenue, Surrey, B.C. V3W 3H9

| | |
|--|---------------|
| Drawn By: | Approved By: |
| STEPHEN BISHOP | |
| Date: | Drawing: |
| APRIL 12th 2012 | A0966B |
| SINGER MODEL J0097B & J0098B STRAINER | |