

# MODELS J0098B & J0097B STRAINERS

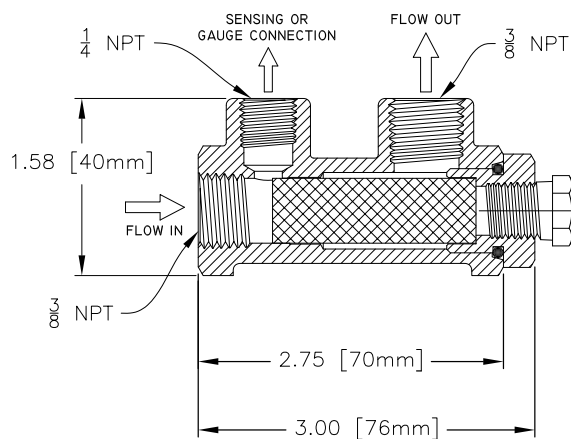
## PRODUCT OVERVIEW

There are two versions of the standard AISI 316 stainless steel strainer with 40 mesh stainless steel screens. The standard strainer J0098B has a 3/8 in / 9.5 mm blowdown/maintenance port for access to the screen and the 3/8 in / 10 mm NPT inlet and outlet connections. The J0097B strainer provides a standard 1/4 in / 6.35 mm sensing / gauge connection.



## ORDERING INSTRUCTIONS

Refer to page 244 for the order form and ordering instructions.



**Model J0097B**

## STANDARD MATERIALS

Body: Stainless Steel 316

Screen Retainer: Stainless Steel 316

Screen (40 Mesh): Stainless Steel 316

Screen Retainer Seal: Buna

Blow Down Plug: Stainless Steel 316