

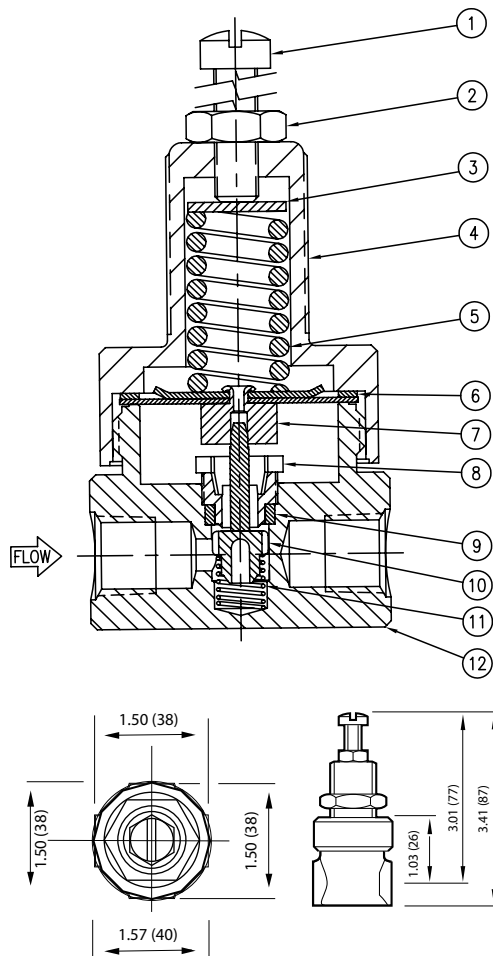
MODEL J0223A BUILDING TRADES REDUCING PILOT

PRODUCT OVERVIEW

- Compact design, corrosion resistant construction
- Brass body with brass bonnet
- Miniature brass 1/8", 1/4" PTF
- Brass bonnet equipped with pressure adjusting screw
- Indoor applications only
- For use on 3" pressure reducing valves & smaller

ORDERING INSTRUCTIONS

Refer to page 244 for the order form and ordering instructions.



1. Adjusting Screw (Steel)
2. Nut, lock (Brass)
3. Springrest (Steel)
4. Bonnet (Brass)
5. Spring (Steel)
6. Slip ring (Polyethylene)
7. Diaphragm ASSY (Buna-N, Brass, Stainless)
8. Seat-Valve (Acetal)
9. Gasket-Seat (Nitrile)
10. Valve ASSY (Brass, Buna-N)
11. Spring-Valve (Stainless)
12. Body, 1/4 PTF (Brass)
13. Pipe Plug (Brass) *Not shown

Specifications

Fluid: Water Maximum pressure: 400 psig (27 bar)
 Gauge Ports: 1/8" PTF
 Operating temperature: Water service 35° to 175° F
 (2° to 80° C) Typical flow for water service at 100 psig
 (7 bar) inlet pressure, 60 psig (4 bar) set pressure
 and a drop of 15 psig (1 bar) from set 1.3 gpm (4.9 lpm)

Materials

Body: Brass Bonnet: Brass Valve: Brass/nitrile
 Valve seat: Acetal resin Elastomers: Nitrile
 Warranty 2 years Range: 0-125 psig (0-8 bar)