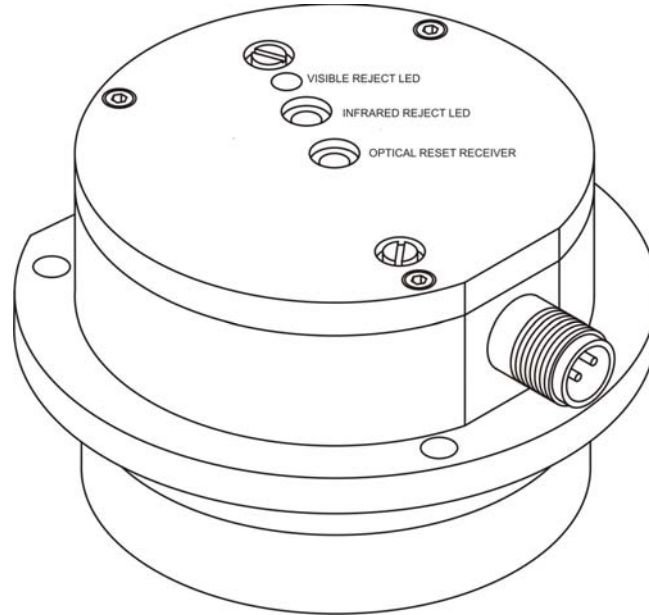


Model LT20
High Speed Can Tester Light Head

PRIME[®]
CONTROLS, INC.
METAL SENSING SOLUTIONS



Description

Prime Controls' Model LT20 Light Head is designed for use on the Stolle Machinery LT Series Can Body Testers. The LT20 is a direct replacement for the Model LT19 Light Head. All inputs, outputs and connections are the same as the Model LT19. The Model LT20 is constructed with the latest in surface mount technology. The reliability and life of the head is expected to be greater with it's use of surface mount components. Surface mount technology requires lower power requirements and the low center of gravity on most components reduces mechanical fatigue when exposed to vibration and rotational forces. A new processor provides high speed data processing as well as the capacity for future improvements.

Power

24 V DC +/- 10% at approximately 20 milliamps.
Power pins are labeled A and B. Pin B is common, pin A is +24V.

Reset Input

Triggered by visible light source.

Reject Output

Infrared Red LED – illuminates LR4, LR4 or LR10 receiver.

Construction

Housing: 400 series machined aluminum
Connector: Amphenol MS (Military Style)
Circuit Board: Epoxy Fiberglas with conformal coated components

Prime Controls Inc.

4528 Gateway Circle, Dayton, OH 45440-1712
937-435-8659 Fax 937-435-2091

vip@primecontrols.com www.primecontrols.com