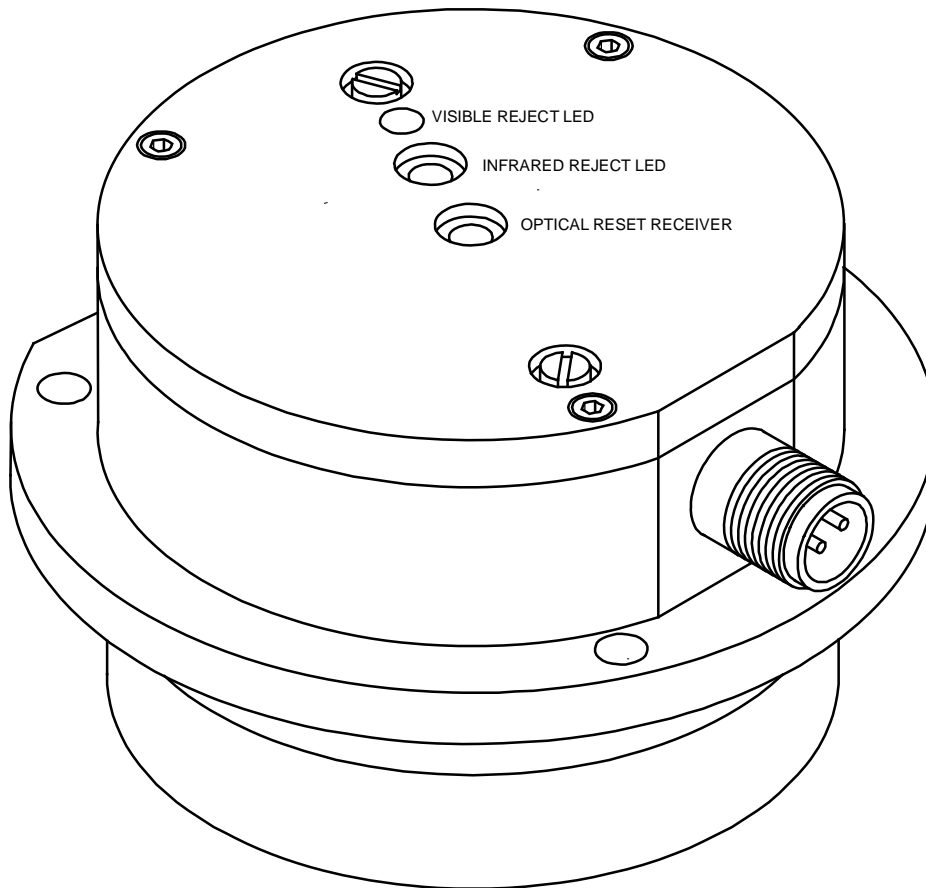


LT20 USER INFORMATION



Description

The Prime Controls LT20 Light Head is designed for use on Stolle can-body leak testers. The LT20 is a direct replacement for the Hyde Park LT19 Light Head.

Power

24 V DC +/- 10% at approximately 20 milliamps.
Power pins are labeled A and B. Pin B is common, pin A is +24V.
Requires mating Amphenol cable receptacle MS3106A10SL-4S with cable clamp AN3057-4.

Reset Input

Triggered by visible light source (Prime Controls LED based RI101 is a direct replacement for the obsolete Honeywell incandescent illuminator).

Reject Output

Infrared LED – illuminates LR10 receiver.