

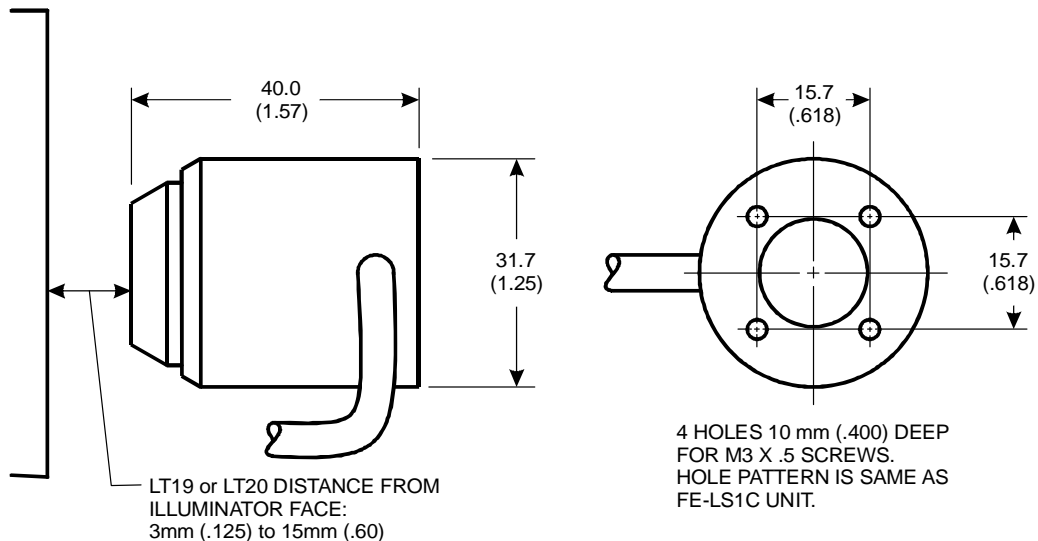
RI101 – Reset Illuminator (LED)

PRIME[®]
CONTROLS, INC.
METAL SENSING SOLUTIONS



For Stolle Machinery's light testers, the RI101 is used to reset the LT20 array head reject signal. This is a replacement for the obsolete Micro Switch / Farmer Electric FE-LS1C unit. The incandescent bulb has been replaced with a LED for longer life and energy savings. It can also be powered with 10-24VDC instead of having a special +6.3VAC power on hand.

The RI101 is built to last for years of trouble-free service. The unit is made out of Machined Aluminum and is potted with epoxy to help it survive harsh vibration environments.



Prime Controls Inc.

4528 Gateway Circle • Dayton, OH 45440-1711 USA

Tel: 937-435-8659 Fax: 937-435-2091

Email: VIP@primecontrols.com • Web: www.primecontrols.com

Specifications

Power Requirements

Voltage: 6.3 volts RMS AC or 10 to 24 volts DC
Current: 35 mA @ 24V DC, 85 mA @ 10V DC

Electrical Connection

Cable length: 3M (9.8')
PVC jacketed, two conductor, 24AWG cable with shield.
Non-polarized (blue and brown conductors may be interchanged)
Connect shield drain wire to system ground.

Mounting Requirements

Optimum Focus Distance: 3mm(0.125") to 15mm (0.60")
Mounting screws: M3 x 0.5 – 4 required

Materials

Housing: Machined 6061 aluminum
Lens: Acrylic

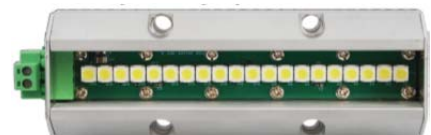
Other Light Tester products available from Prime Controls Inc.



LT20
Array Heads



LR10
Reject Pickup



TL101
LED Light Array
Tester Upgrade Kit

Prime Controls Inc.

4528 Gateway Circle • Dayton, OH 45440-1711 USA

Tel: 937-435-8659 Fax: 937-435-2091

Email: VIP@primecontrols.com • Web: www.primecontrols.com