



OZip-Motor Drive Software

Advanced Digital Motor Drive Systems
Oztek Intelligent Power Module

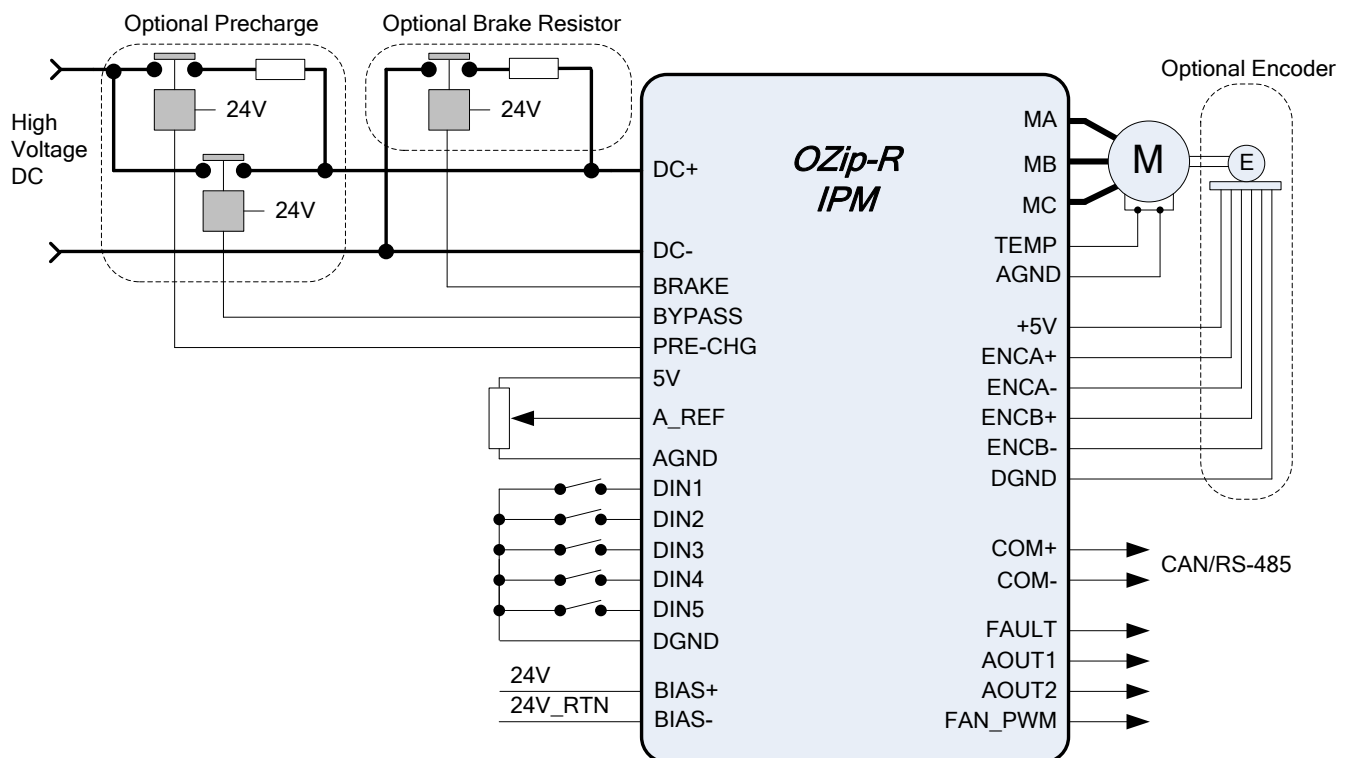
Features

- Low Distortion, Sinusoidal Drive Waveforms
- Supports Multiple Control Interfaces
- Open-loop Volts/Hertz Control
- Closed-loop Speed or Torque Control
- Induction and Permanent Magnet Motor Support
- Pre-charge and Brake Control
- CAN or Modbus RS-485 Interface
- Easy Setup via Serial Port with PC based GUI

Control Modes

| Mode | Features |
|--------------------|---|
| Open Loop V/Hz | Open loop control for AC Induction motors. This is the simplest mode to configure and can be used to control multiple motors in parallel. |
| Closed Loop Speed | Encoder based, Field Oriented Control (FOC) for higher precision, more demanding AC Induction as well as Permanent Magnet motor applications. |
| Closed Loop Torque | Encoder based, Field Oriented Control (FOC) for direct torque control of AC Induction as well as Permanent Magnet motors. |

Typical Application



Innovative Thinking for Power Control

OZip-Motor Drive Software

Description

The Motor Drive Software application is designed for use with Oztek's OZip family of Intelligent Power Modules. Intended for OEM applications, the OZip based motor drive solution provides high performance and efficiency at a fraction of the cost of a general purpose industrial drive.

The drive can be configured for closed loop speed or torque control using Field Oriented Control (FOC) for high performance AC Induction and Permanent Magnet motor applications. Open loop V/Hz control is also provided for less demanding, low cost, AC Induction motor applications.

A flexible control interface allows for analog, digital and serial interface options. High voltage DC Link pre-charge control logic, as well as brake control logic are provided for those applications that require them.

The drive is fully configurable through a CAN or Modbus

RS-485 serial interface, using the supplied, Power Studio™ configuration tool.

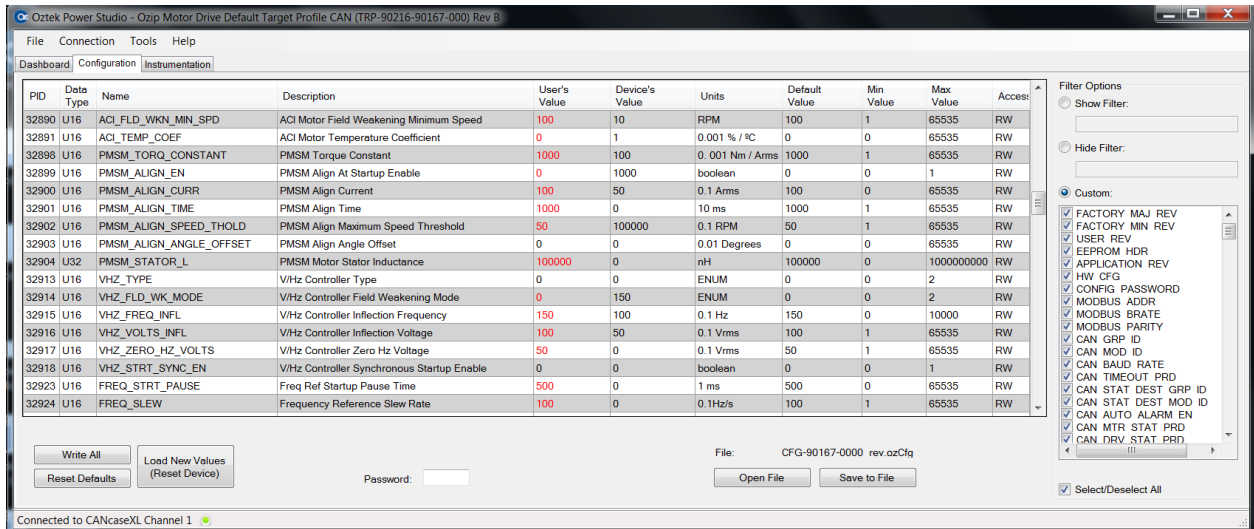
The OZip-Motor Drive leverages Oztek's 15+ years of experience providing digital power solutions to demanding OEMs, and will accelerate your time to market while reducing development cost and risk.

Compact and rugged, the IP55 rated modules have been qualified for high reliability and long life in the most demanding applications. Multiple air and liquid cooled configurations are available to satisfy a wide range of application requirements. Visit oztekc corp.com for more info.

Power Studio™

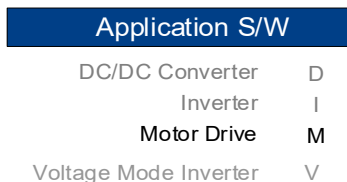
Power Studio™ is a Windows based GUI that can be used to easily configure and control the OZip motor drive. The tool communicates with the drive over the CAN or RS-485 serial port and provides a simple, intuitive user interface. Features include:

- Simple Tabbed Interface
 - ◆ Dashboard
 - ◆ Configuration
 - ◆ Instrumentation
- Dashboard for Control and Monitoring
- Drive Configuration
 - ◆ Edit Configurations
 - ◆ Download/Upload Configurations
 - ◆ Archive multiple configuration files
- Firmware Update Utility



How To Specify

Typical OZip part number:



OZip-R 12 60 L M C