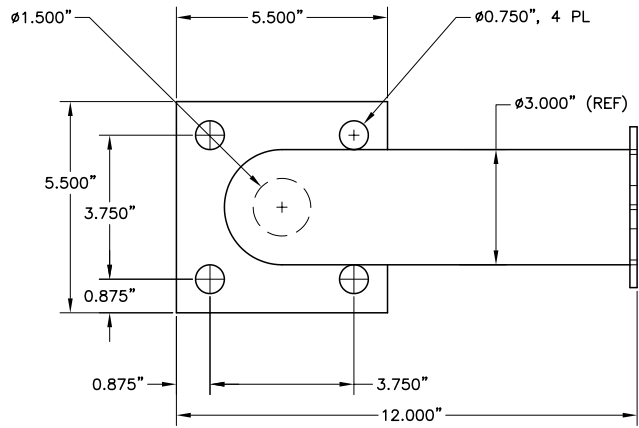
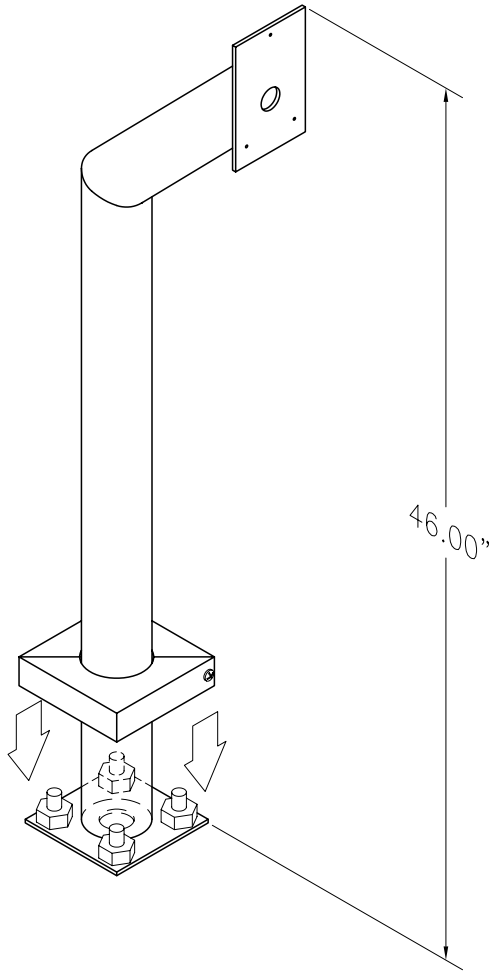


GOOSENECK STAND



Features

Semi-gloss black powder-coated finish.

3" diameter welded tubing.

Can be grounded to help minimize lightning damage to Keypad/APEX.



Corporate Headquarters
PTI Integrated Systems
Scottsdale, AZ
800.331.6224
www.ptiaccess.com

PTI East
Baltimore, MD
800.933.3716
www.ptieast.com

PTI Europe
London, England
+44 (0) 20 8892 6317
www.ptieurope.com

PTI Australasia
Brisbane, Australia
61 7 3216 5524
www.ptiaustralasia.com