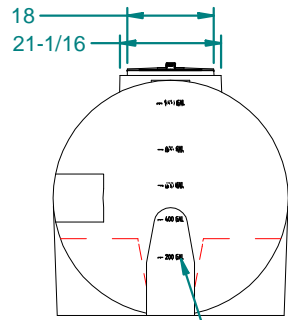


HA-1025/ HDPE

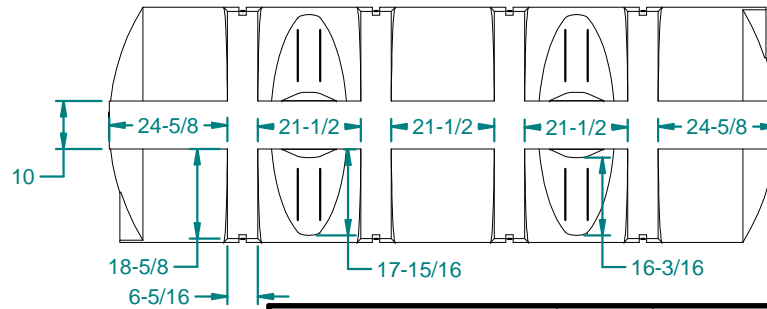
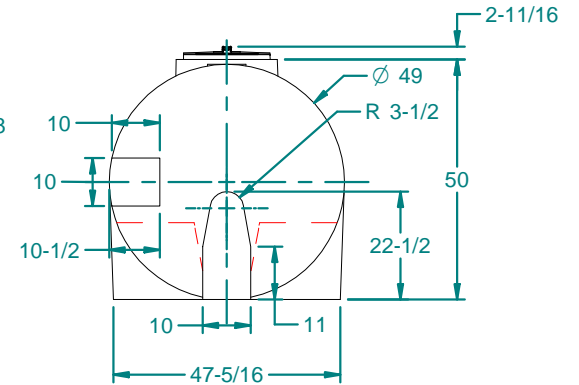
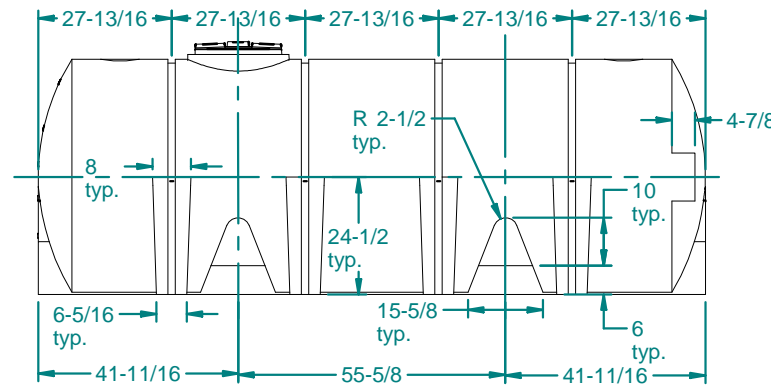
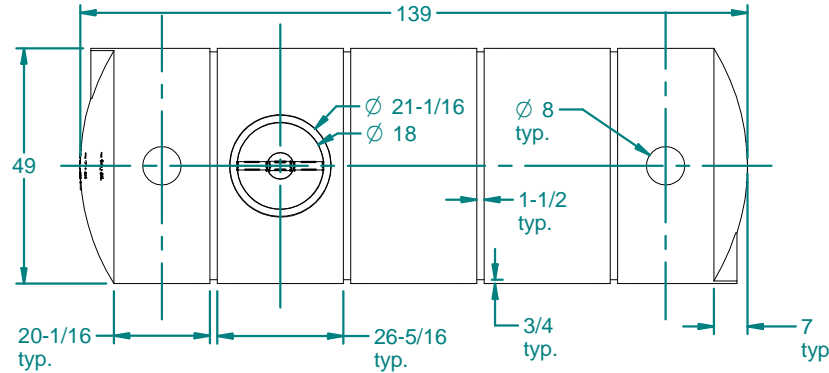
Above ground oil and sand interceptor.

REVISION HISTORY

REV	DESCRIPTION	DATE	APPROVED	Revised By
00	Prototype Release	9/11/2012		



Tank calibrations in 200 Gal increments



Weight: 299.679 lbm	NAME	DATE		
Wall Thickness: 0.313 in	Drawn By: S. Arant	9/11/2012		
Customer Part No: N/A	Customer APPR		Customer:	
Print Date: 10/13/2012	COPYRIGHT © 2011 DURA-CAST PRODUCTS, INC.		Part Title: 1025 Gallon Horizontal Leg Tank	
Comments: - UNLESS OTHERWISE SPECIFIED DIMENSIONS ARE IN INCHES - Std Radii 3/16"	UNLESS OTHERWISE SPECIFIED TOLERANCES ARE DIMS > 10" ±1% DIMS < 10" ±0.100 WALL THICKNESS ± 20% FLATNESS ± .030 in/in		File Name: 1025 Gallon Horizontal Leg Tank 12 10 09.dft	
	Size: A	Material: HDPE 942	Rev: 00	
	Part No: 921026-A1200XXI	Do Not Scale	Sheet: 1	OF 3

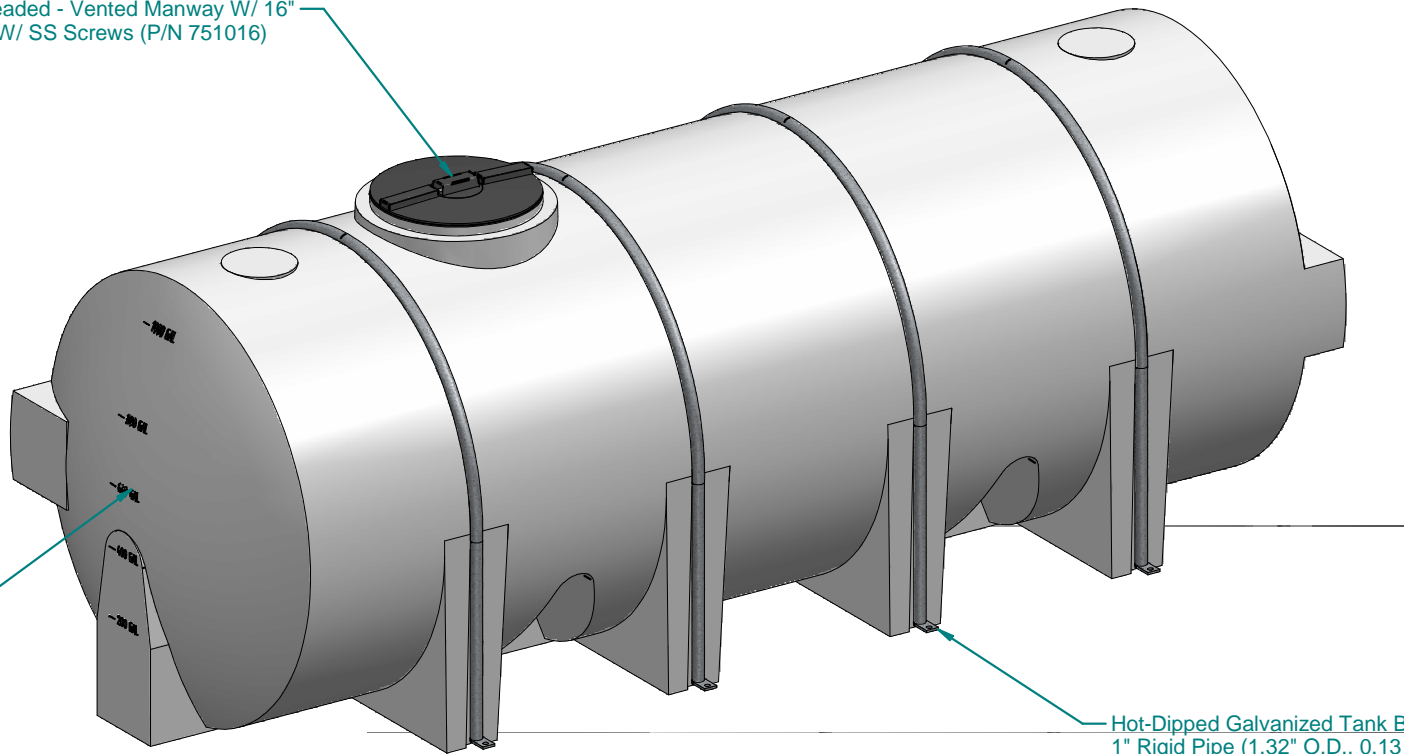
SECONDARY PRODUCT INFORMATION

REVISION HISTORY

REV	DESCRIPTION	DATE	APPROVED	Revised By
00	Prototype Release	9/11/2012		

18" HDPE Threaded - Vented Manway W/ 16" Access, Black, W/ SS Screws (P/N 751016)

Tank calibrations in 200 Gal increments

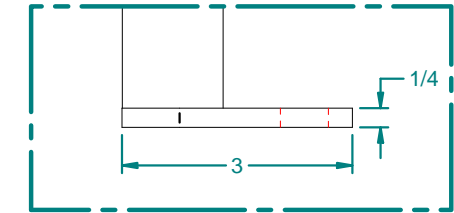
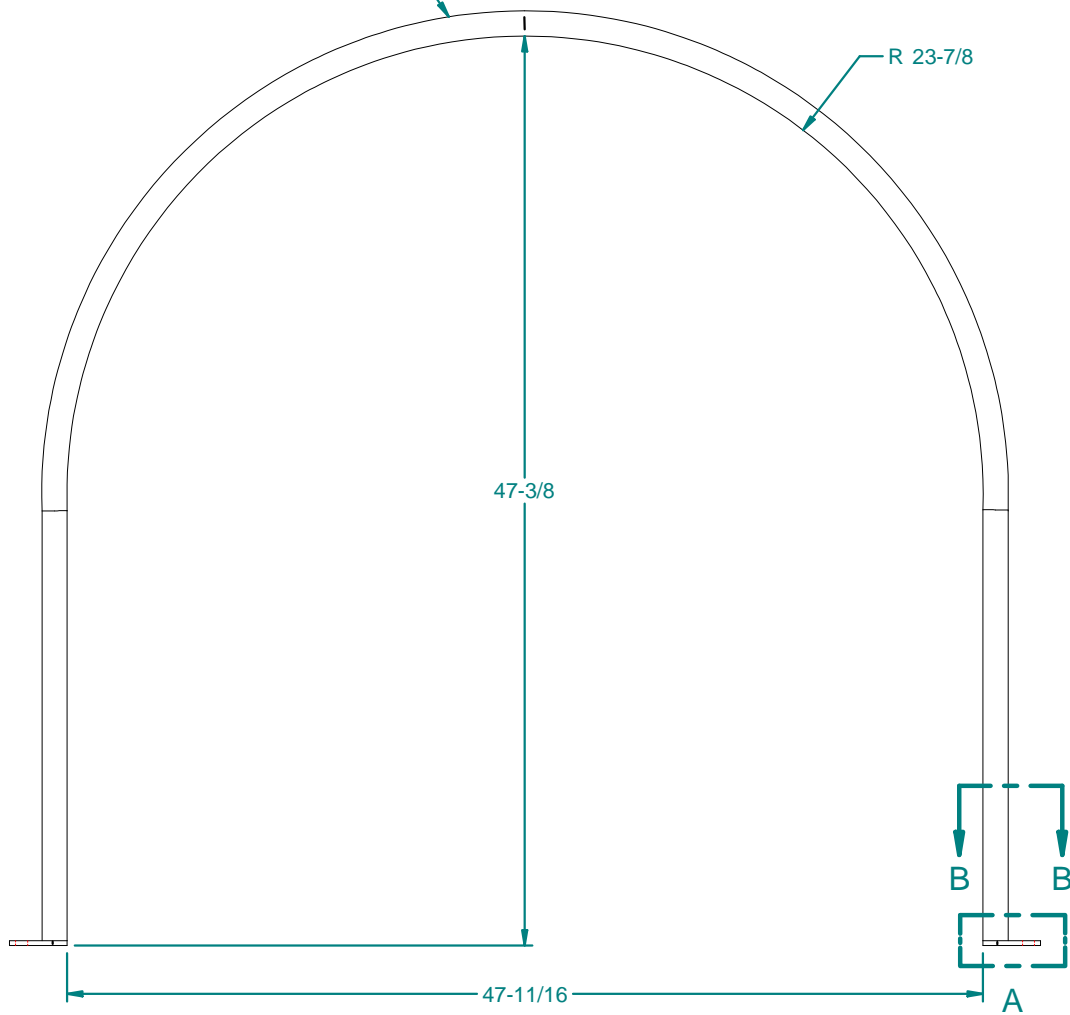


Hot-Dipped Galvanized Tank Bands,
1" Rigid Pipe (1.32" O.D., 0.13 Wall),
1.5" x 3" x 1/4" Foot w/ 5/8" Through-Hole

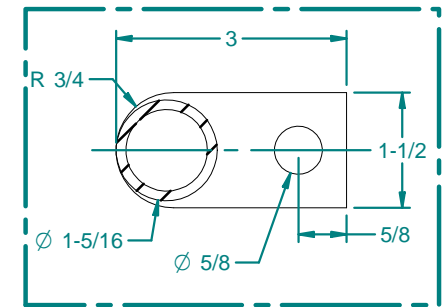
10B Timber Lane, Marlboro, NJ 07746 •
(732) 780-5300 •
FAX: (732) 294-0001 •
www.tandcplastics.com

Weight: 369.168 lbm	NAME S. Arant	DATE 9/11/2012			
Wall Thickness: 0.313 in	Drawn By:		Customer:		
Customer Part No: NA	Customer APPR		Part Title: 1025 Gallon Horizontal Leg Tank		
Print Date: 10/13/2012	COPYRIGHT © 2011 DURA-CAST PRODUCTS, INC.		File Name: 1025 Gallon Horizontal Leg Tank 12 10 09.dft		
Comments: - UNLESS OTHERWISE SPECIFIED DIMENSIONS ARE IN INCHES - Std Radii 3/16"	UNLESS OTHERWISE SPECIFIED TOLERANCES ARE DIMS - 10" ±1% DIMS < 10" ±0.100 WALL THICKNESS ± 20% FLATNESS ± .030 in/in		Size: A	Material: HDPE 942	Rev: 00
			Part No: 921026-A1200XXI	Do Not Scale	Sheet: 2 OF 3

Hot-Dipped Galvanized Tank Band,
1" Rigid Pipe (1.32" O.D., 0.13 Wall),
3" x 1-1/2" x 1/4" Foot w/ 5/8" Through-Hole



DETAIL A



SECTION B-B

4 bands required

REVISION HISTORY

REV	DESCRIPTION	DATE	APPROVED	Revised By
00	Prototype Release	9/11/2012		

Weight: 17.011 lbm	NAME S. Arant	DATE 9/11/2012		
Wall Thickness: N/A	Drawn By:			
Customer Part No: N/A	Customer APPR		Customer:	
Print Date: 10/13/2012	COPYRIGHT©2011 DURA-CAST PRODUCTS, INC.		Part Title: I025 Gallon Horizontal Leg Tank	
Comments: - UNLESS OTHERWISE SPECIFIED DIMENSIONS ARE IN INCHES - Std Radii 3/16"	UNLESS OTHERWISE SPECIFIED TOLERANCES ARE DIMS > 10" ±1% DIMS < 10" ±0.100 WALL THICKNESS ± 20% FLATNESS ± .030 in/in		File Name: I025 Gallon Horizontal Leg Tank 12 10 09.dft	
	Size: A	Material: Steel	Rev: 00	
	Part No: 921026-F0XXXXXXI	Do Not Scale	Sheet: 3 OF 3	