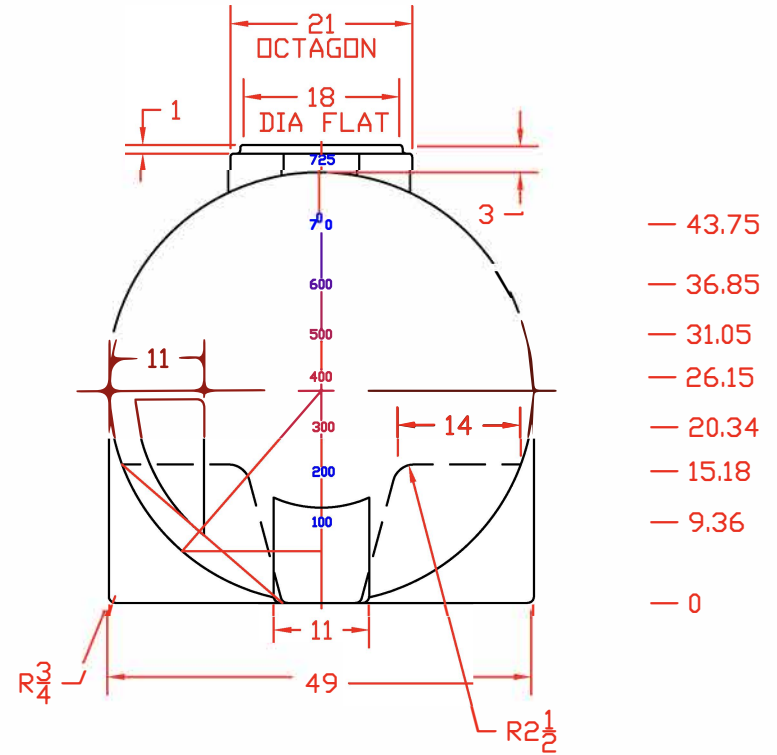
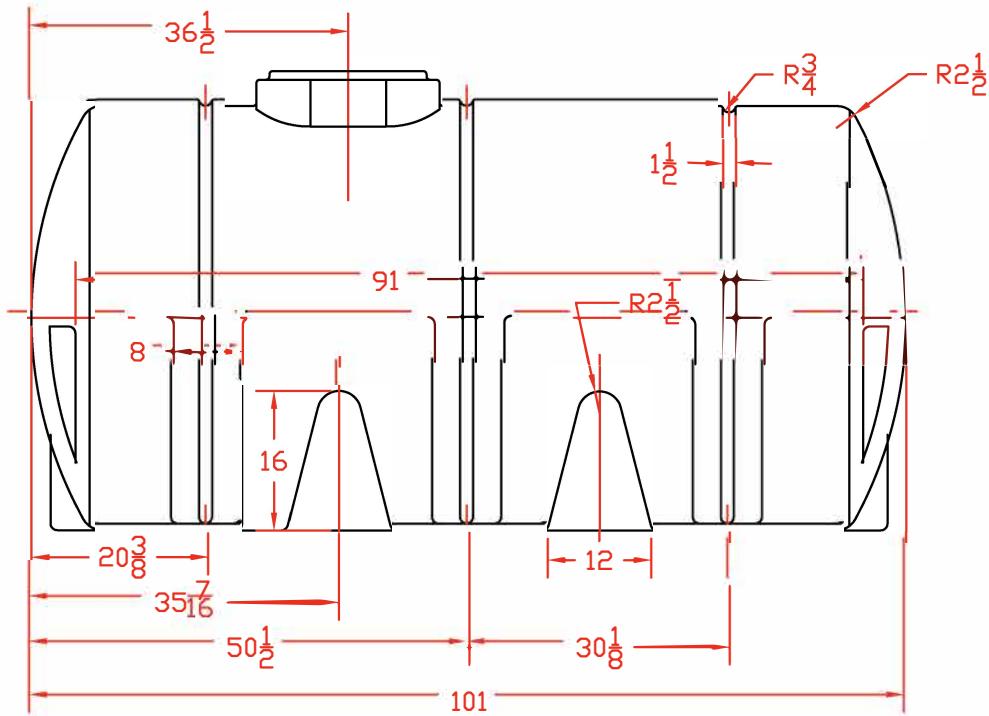


REVISIONS				
ZONE	REV	DESCRIPTION	DATE	APPROVED
	B	REDRAWN	1 7	



GALLON MARKS BOTH ENDS

**T&C**

**TOWN & COUNTRY PLASTICS**  
Customized For Precision

725 GALLON HORIZONTAL  
LEG TANK

SIZE B	FSCM NO.	DWG	REV B
SCALE 1/16		SHEET	