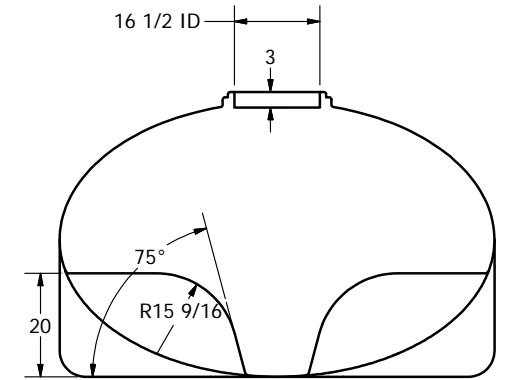
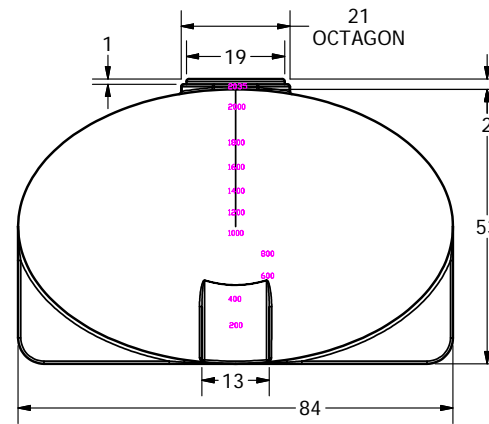
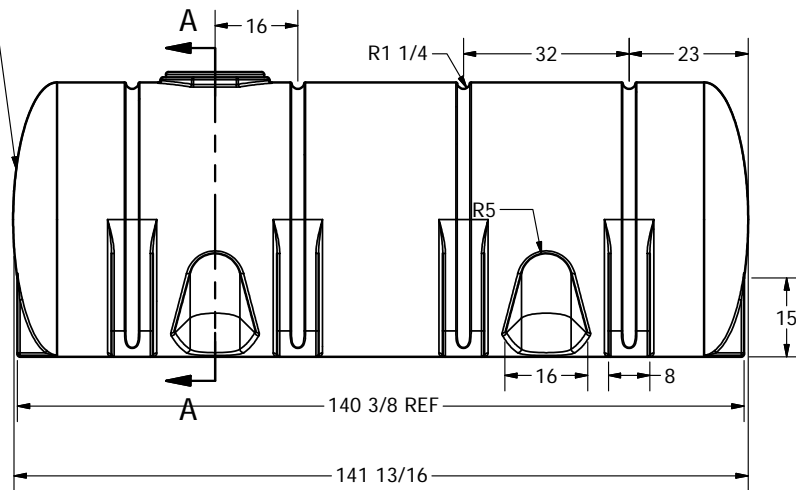
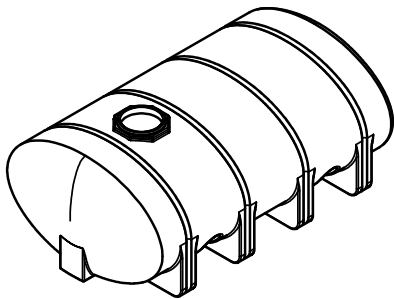


GALLON MARKS ARE ON THIS END

HB-2035 GALLON ELLIPTICAL TANK



SECTION A-A
SCALE 1 / 24



DRAWN Jerry Paulson	10/11/2007
CHECKED	
QA	
MFG	
APPROVED Jerry Paulson	

T&C TOWN & COUNTRY PLASTICS
Customized For Precision

10B Timber Lane, Marlboro, NJ 07746 •
(732) 780-5300 • FAX: (732) 294-0001 •
www.tandcplastics.com

SIZE B	DWG NO	REV A
SCALE: 1/24	SHEET 1 OF 1	