



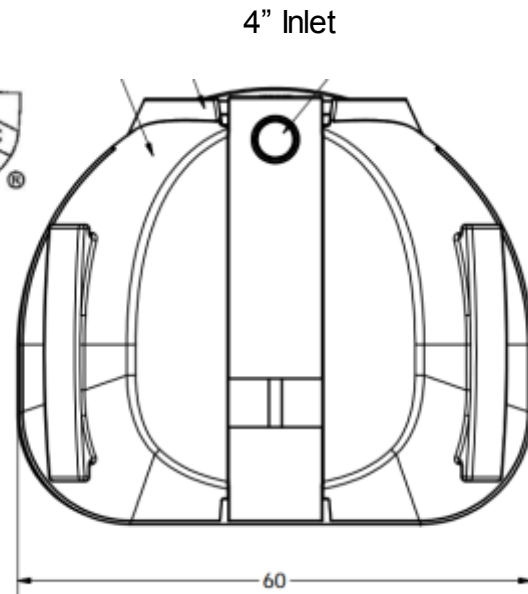
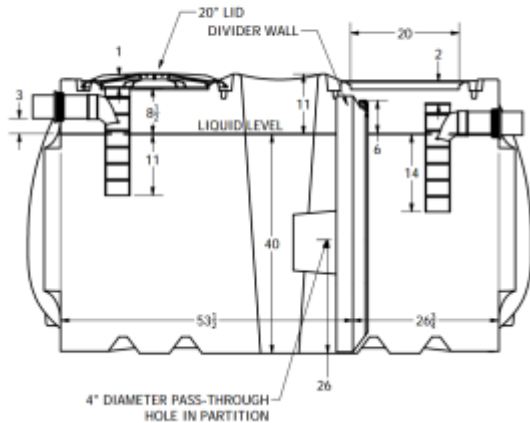
**TOWN & COUNTRY PLASTICS**

*Customized For Precision*

10B Timber Lane, Marlboro, NJ 07746 • (732) 780-5300 • FAX: (732) 294-0001 • www.tandcplastics.com

## HGI-750 / HDPE Underground Grease, Oil & Sand Interceptor

MATERIAL: HIGH-DENSITY POLYETHYLENE  
WALL THICKNESS: TANK WALL - .250"  
DIVIDER WALL - .19"



OPERATING VOLUME: PRIMARY COMPARTMENT: 499 GALLONS  
OPERATING VOLUME: SECONDARY COMPARTMENT: 255 GALLONS

**Inlet Centerline**

