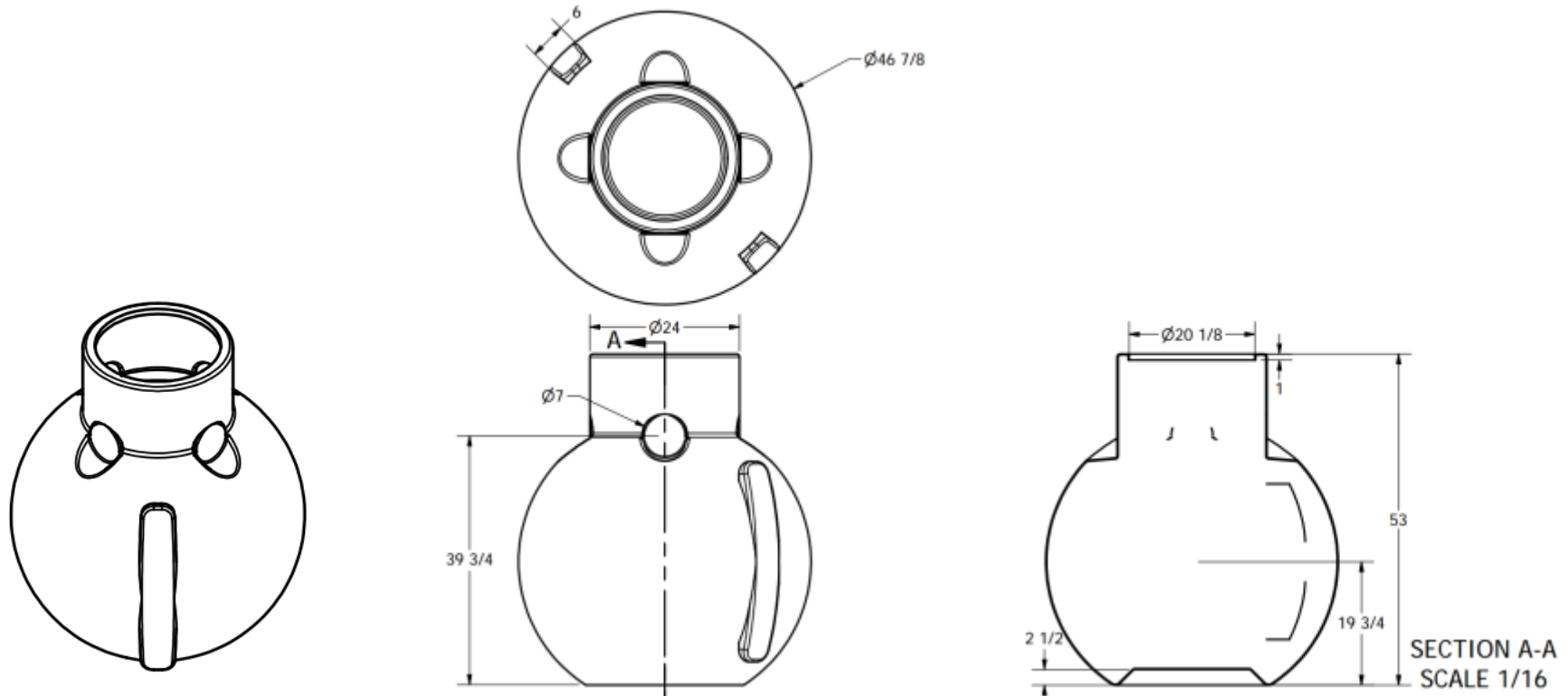


HDPE UNDERGROUND INTERCEPTOR



200 GALLON SPHERICAL PUMP TANK W/ IN/OUT MODEL SPH-200/HDPE	
T&C	TOWN & COUNTRY PLASTICS
	<i>Customized For Precision</i>
	10B TIMBER LANE
	MARLBORO, NJ 07746
	732-780-5300
	WWW.TANDCPLASTICS.COM