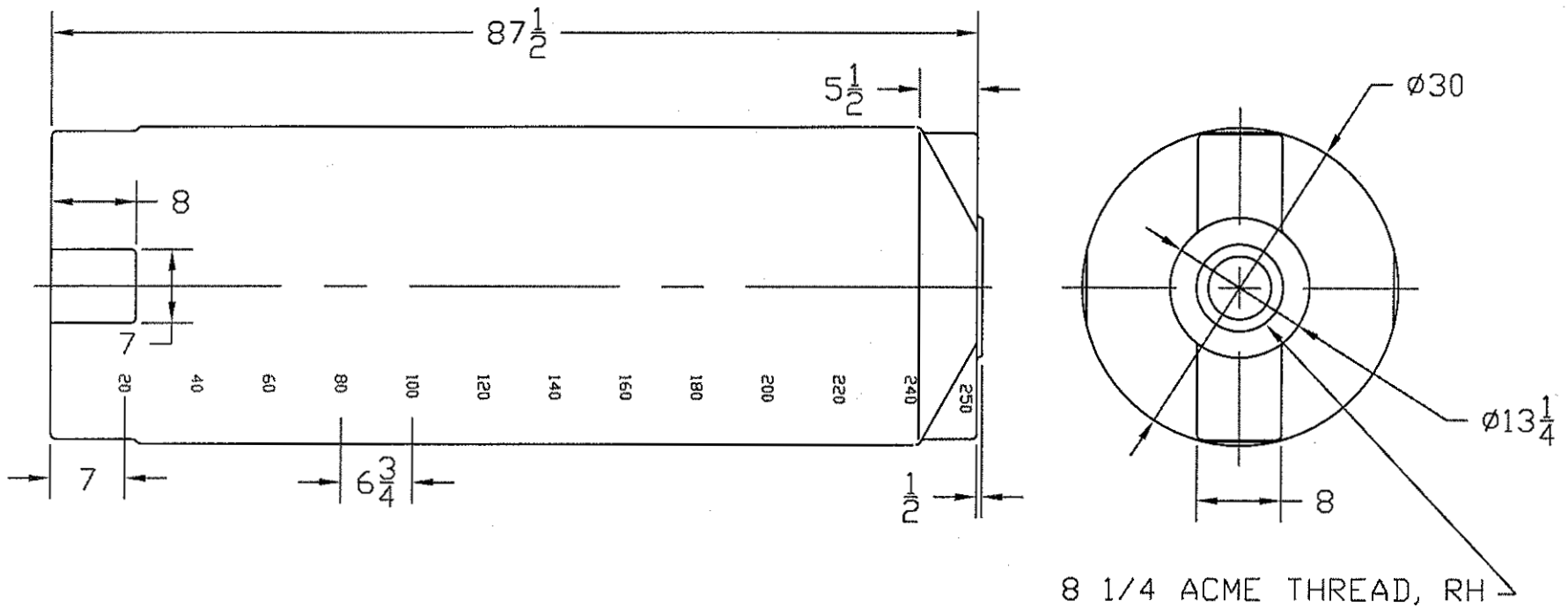


REVISIONS				
ZONE	REV	DESCRIPTION	DATE	APPROVED



Model TCTD-250 / HDPE



TOWN & COUNTRY PLASTICS

Customized For Precision

JTP 07AUG03	SIZE A	FSCM NO.	DWG NO.	REV
SCALE 1/16		SHEET		