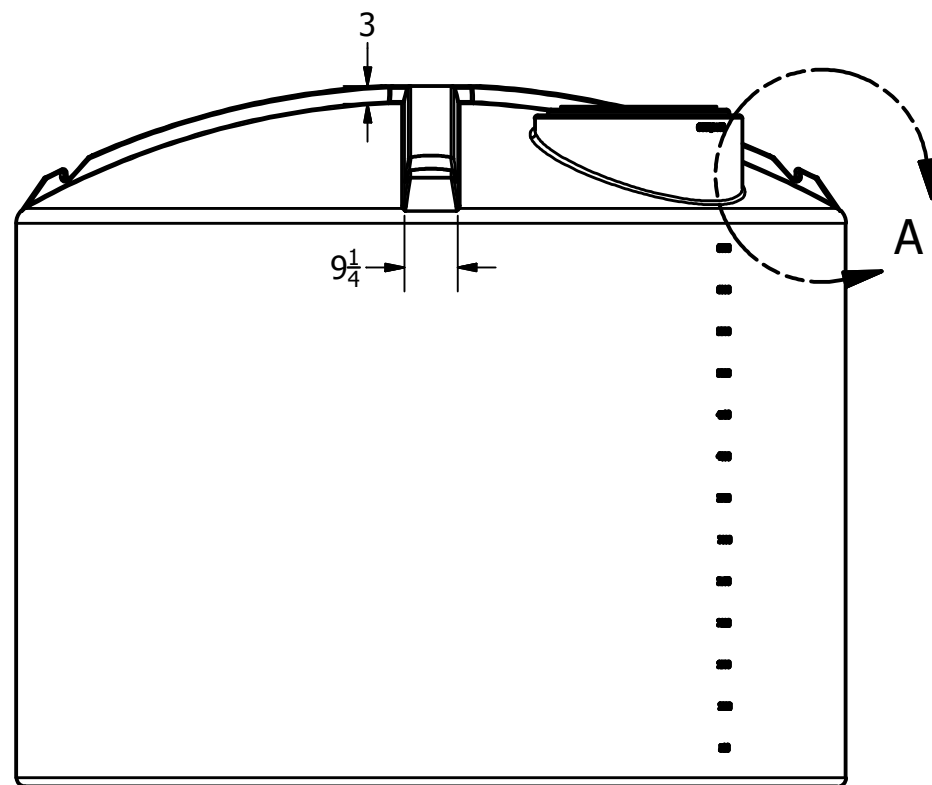


DETAIL A
SCALE 0.06 : 1



DRAWN Todd Bolzer	3/14/2013	T&C	TOWN & COUNTRY PLASTICS	
CHECKED			<i>Customized For Precision</i>	
QA		TITLE TCTD-7750 / HDPE VERTICAL STORAGE TANK		
MFG		SIZE B	DWG NO	REV
APPROVED		SCALE: 1/16	SHEET 1 OF 1	