

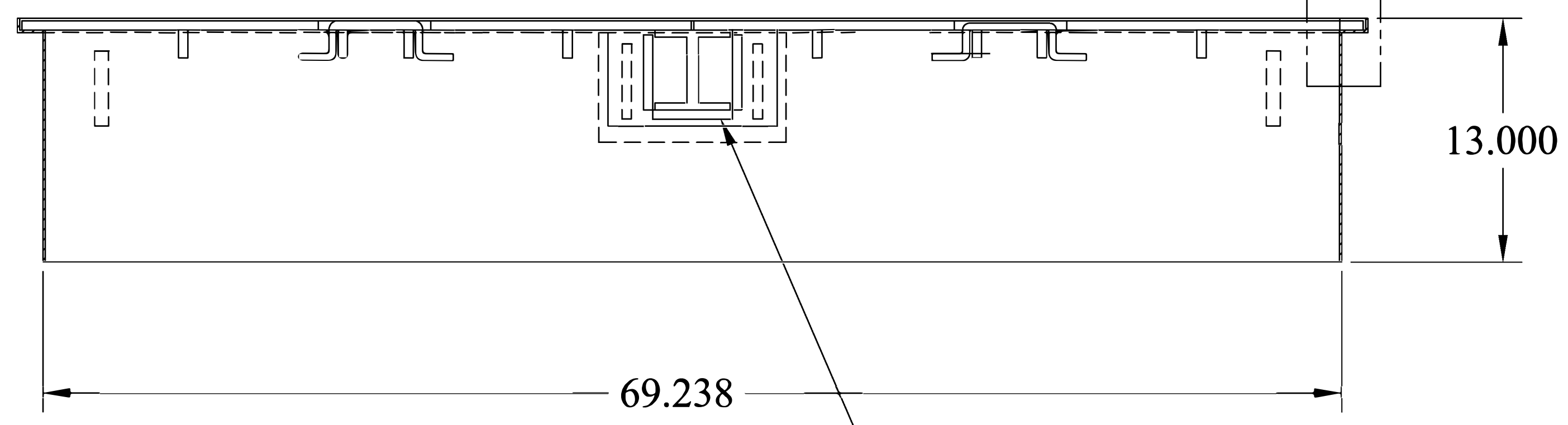
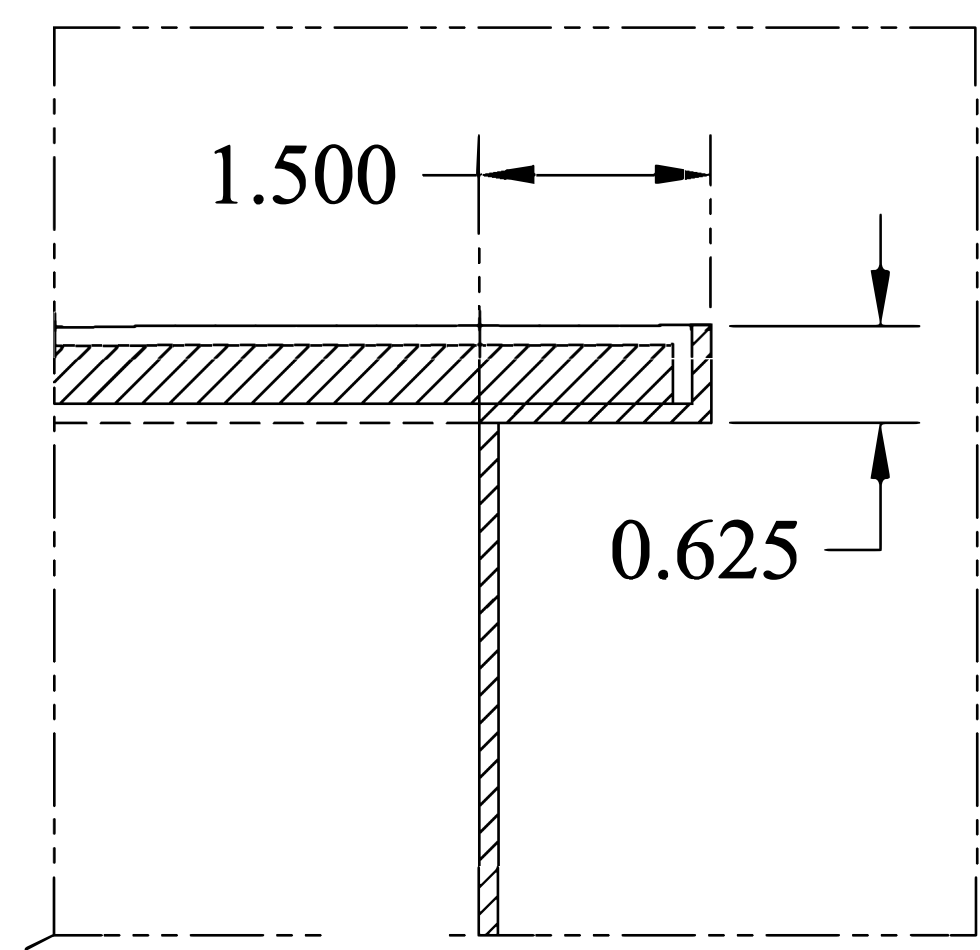
3/8" THICK
REINFORCED DIAMOND
PLATE COVER (2PLCS)

FEATURES

- TWO (2) 3/8" THICK DIAMOND PLATE REINFORCED COVERS OF EQUAL SIZE, H-20 TRUCK LOAD RATING, RECESSED HANDLES
- 11 GAUGE TOP FRAME AND SKIRT, ALL WELDED CONSTRUCTION
- CHANNEL-STYLE CONCRETE ANCHORS
- ONE (1) 6.0" x 6.0" I-BEAM SUPPORT
- ALL STEEL COATED WITH A RUST PREVENTIVE PAINT
- MADE IN USA

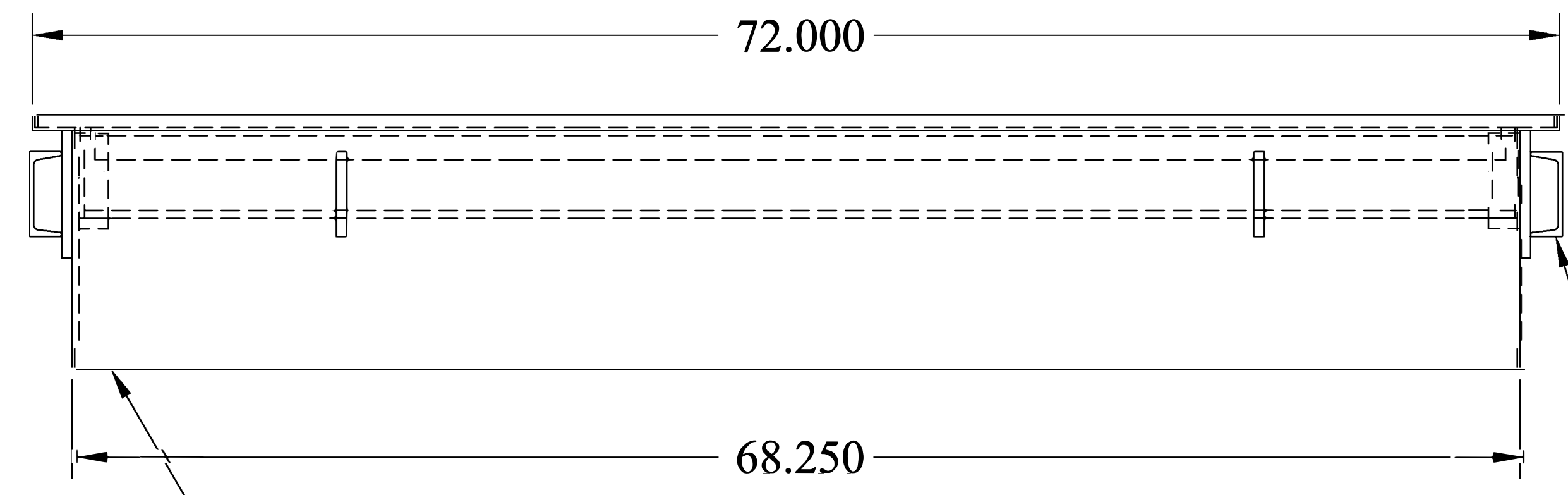
72.000

72.000



SECTION A-A

6.0" X 6.0" I BEAM AND SUPPORTS
(2PLCS)



OPEN BOTTOM

CONCRETE ANCHORS

DO NOT SCALE DRAWING
UNLESS OTHERWISE SPECIED
DIMENSIONS ARE IN INCHES.
TOLERANCES ON ANGLES: ± 1°
FRACTIONAL: ± 1/16
2-PLACE DECIMALS: ± 0.062
3-PLACE DECIMAL: ± 0.032
THIRD ANGLE PROJECTION

	TOWN & COUNTRY PLASTICS <i>Customized For Precision</i>	MODEL #: 72S
	10-B TIMBER LANE MARLBORO, NJ 07746 732-780-5300	72" x 72"-12" SKIRT-2 EQ Covers
WWW.TANDCPLASTICS.COM		