



TOWN & COUNTRY PLASTICS

Customized For Precision

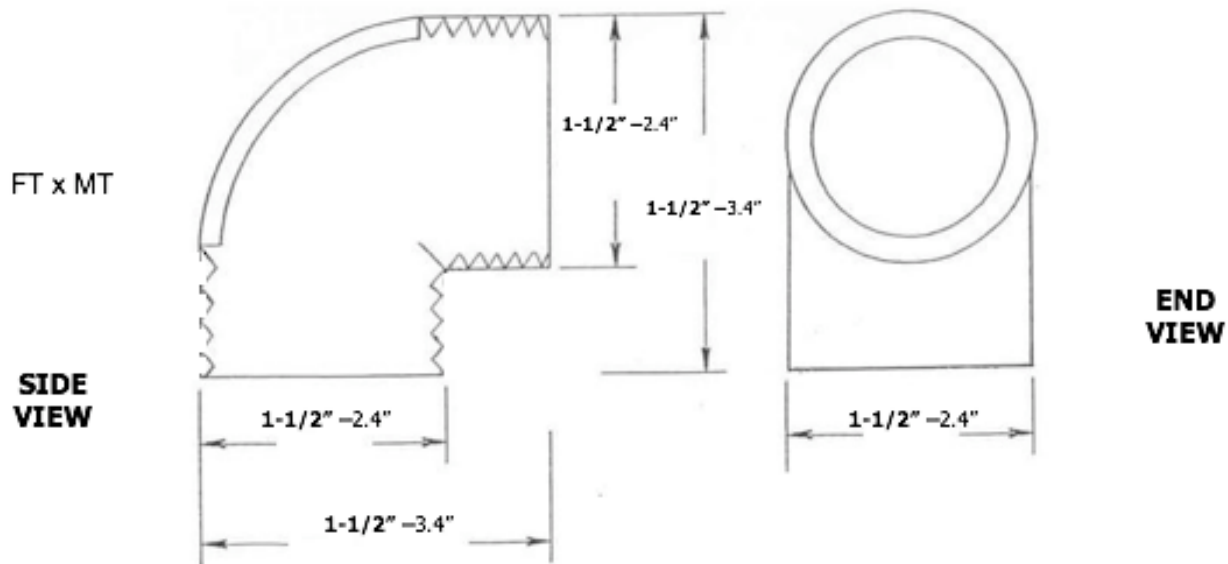
10B Timber Lane, Marlboro, NJ 07746 • (732) 780-5300 • FAX: (732) 294-0001 • www.tandcplastics.com

MODEL #PP-31SE

POLYPROPYLENE THREADED 90-DEGREE STREET ELBOW (SHORT RADIUS)

***One Model #PP-31SE needed for each sediment interceptor**

(90-DEGREE CHEMICAL DRAINAGE ELBOWS)



NOTE: SMALLER AND LARGER SIZES ALSO AVAILABLE.