



**TOWN & COUNTRY PLASTICS**

*Customized For Precision*

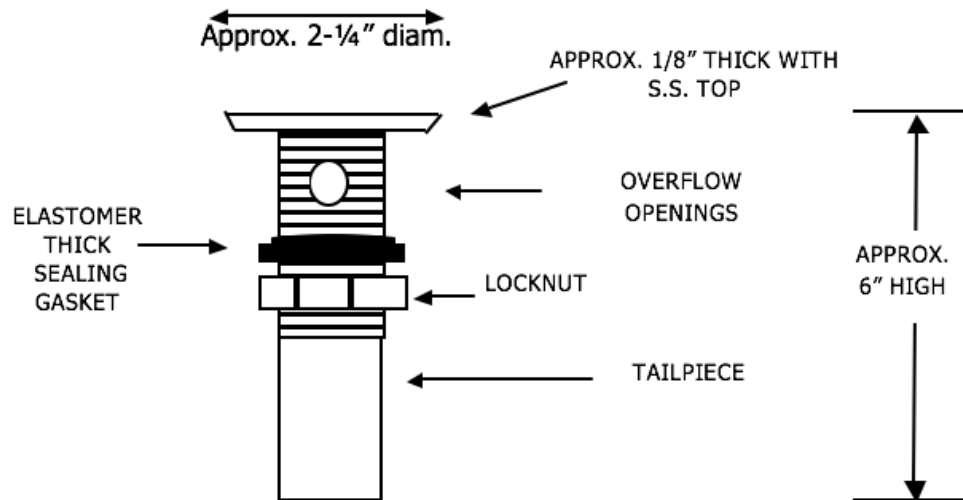
10B Timber Lane, Marlboro, NJ 07746 • (732) 780-5300 • FAX: (732) 294-0001 • www.tandcplastics.com

**MODEL #PP-39AX-2.25**

**1-1/4" CUSTOM SINK STRAINER WITH TAILPIECE**

**(ACID & CHEMICAL RESISTANT FOR PORCELAIN SINKS)**

**SIDE VIEW**



**TOP VIEW**

