



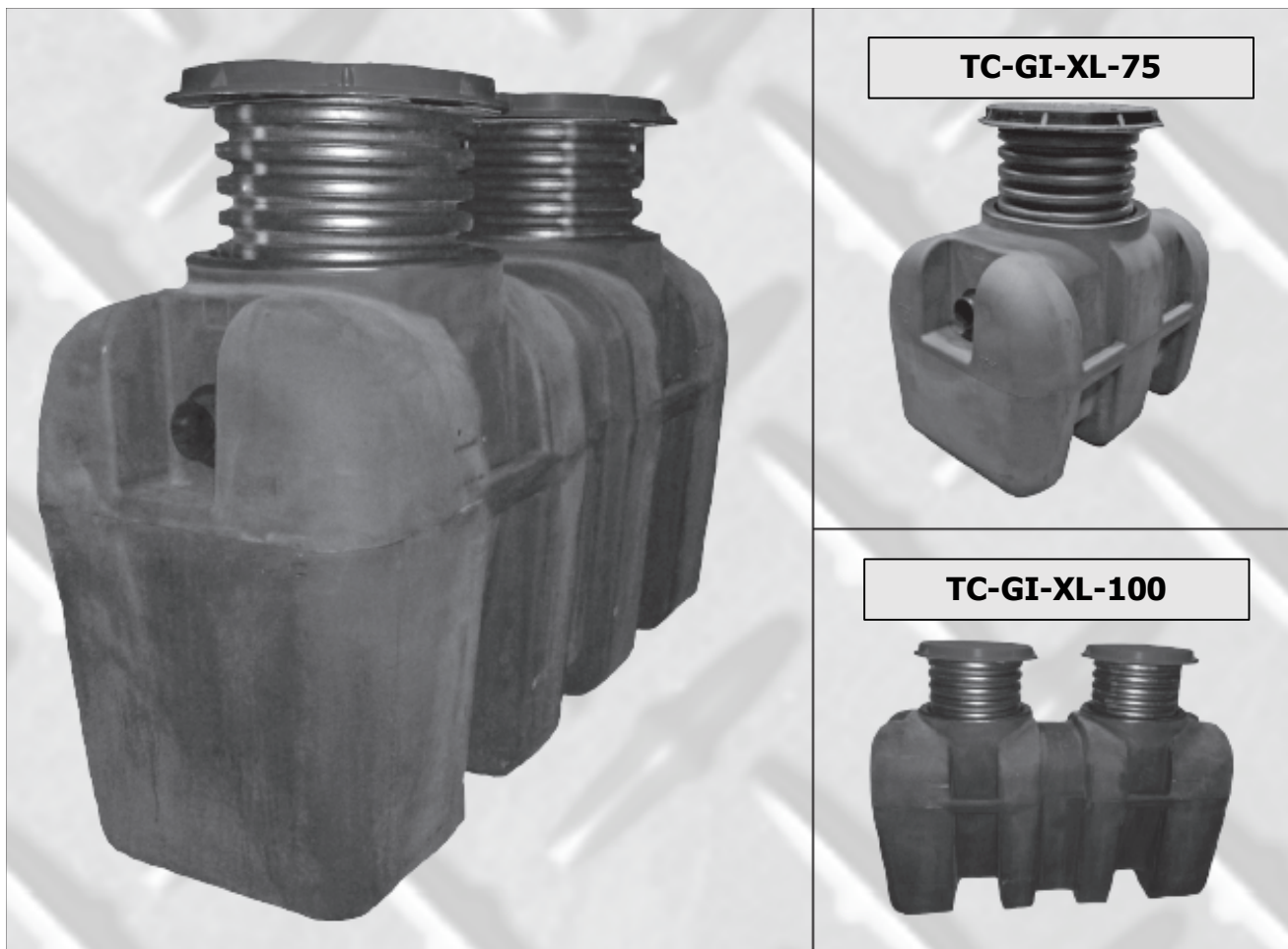
TOWN & COUNTRY PLASTICS

Customized For Precision

Large Grease Interceptors

With over 45 years of experience manufacturing neutralization tanks and interceptors, Town & Country Plastics (T&C), has adapted its superior design to meet the changing market.

Combining functionality and innovation, and backed by a **limited lifetime warranty**, Town & Country Plastics plastic grease interceptors were designed with the contractor in mind.



Oil, Sediment, Lint and other versions are available. Contact T&C for details and pricing.

T&C reserves the right to make changes in material and design without formal notice and obligation.

10-B Timber Lane, Marlboro, NJ 07746 • (732) 780-5300 • FAX: (732) 294-0001 • www.tandcplastics.com

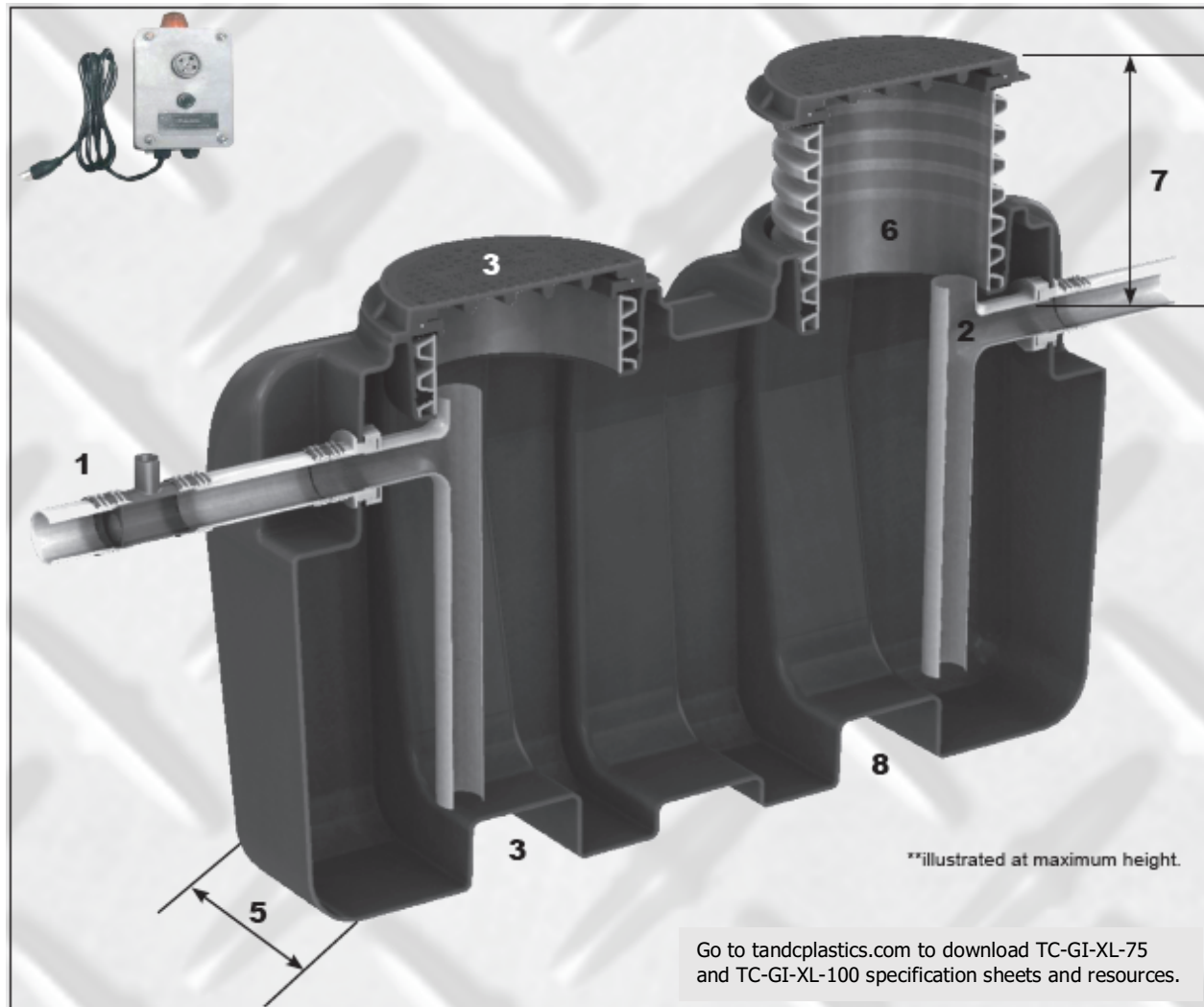


TOWN & COUNTRY PLASTICS

Customized For Precision

Large Plastic Grease Interceptors

We have applied this experience to our new range of large, plastic, patent pending grease interceptors. We invite you to experience the Town & Country Plastics (T&C) difference – best in class when it comes to plastic grease interceptors.



External Sampling Port

For jurisdictions that require the installation of an external sampling port, the T&C TC-GI-XL is the answer.



It is manufactured from HDPE and available with a standard AASHTO H-20 load rated cover. (Specify suffix -SP)



3 - H-20 Load Rated Lid



Multiple inlet / outlet options



High Level Alarm Illustrated (Specify suffix -HLA)

T&C reserves the right to make changes in material and design without formal notice and obligation.

10-B Timber Lane, Marlboro, NJ 07746 • (732) 780-5300 • FAX: (732) 294-0001 • www.tandcplastics.com



1. External Vented Flow Control Fitting

All of T&C, PDI approved grease interceptors are supplied with an external, vented flow control fitting. Studies have proven that the use of an external, vented flow control fitting results in more effective grease interception because of the air introduced into the drain line through the vent in the top of the flow control fitting. As this air enters the interceptor, grease coats the resulting air bubbles and increases the efficiency of the grease rising to the surface.

2. Sample Port Access

Sample port access is provided standard in our interceptors. Simply remove the lid to gain access to the top opening of the internal inlet and outlet piping. A sample of the water discharging from the interceptor can be taken from the top opening of the outlet piping (deep seal trap).

3. H-20 Load Rated Lid

Standard 20,000 lb. AASHTO H-20 load rated steel encased composite, gasketed lids and collar are standard to withstand heavy loads.

4. Structural Integrity

Ribbed body design provides extra structural integrity for in ground installations. The body is manufactured in the USA out of seamless, rotationally molded High Density Polyethylene with a 3/8" uniform wall thickness. The body is strong but lightweight, allowing it to be installed without the need of a backhoe or crane.

5. Narrow Width

The 33 1/2" width allows the interceptor to fit through doorways and down stairwells. Two people can carry and install the interceptor.

6. Extensions

T&C patent pending extension system consists solely of one piece of 18" diameter ADS pipe (to whatever "C" dimension the contractor needs). This gives the contractor the option to purchase an extension from T&C or to buy a length of ADS pipe from their local waterworks wholesaler in order to complete the installation immediately. This also means that the cost of the T&C extension (when ordered from a local waterworks wholesaler will be significantly less expensive than buying the same height extension system from others). In addition, extensions from others are only available from that specific manufacturer – resulting in delays and time for production and shipment to the contractor. Flexible extensions make for easier installation where grade may be unlevel.

7. Extra Rough-In Dimension

The standard rough-in dimension ("C" dimension – from the middle of the inlet / outlet to the top of the lid) is 24 1/2" and can be field adjusted by the contractor down to 15 1/2" on the TC-GI-XL-75 and to the 16" on the TC-GI-XL-100. The 24 1/2" rough-in dimension provided is almost double that of others – making it less likely to buy expensive extensions.

8. Forklift Access

Forklift access points are provided in the bottom of the interceptors to allow for easy handling.

Approvals

T&C TC-GI-XL-75 and TC-GI-XL-100 grease interceptors are tested and certified to the PDI G-101, ASMEA112.14.3 and CSAB481 Standards and listed with IAPMO.



Grease Design Capacity

T&C TC-GI-XL-75 has a flow rate of 75 GPM and a grease design capacity of 750 lbs. and the TC-GI-XL-100 grease interceptor has a flow rate of 100 GPM and a grease design capacity of 1,150 lbs. These capacities are greater than others in the market.

Grip Points for Anchor Kit

Two grip points are provided on each side of the interceptor for easy handling. These grip points also serve as securing areas for T&C high water anchor kit which allows the contractor to secure the interceptor to the ground before concrete is poured around the unit (Suffix – AK).

Options and Accessories

T&C's 45 years of experience with grease interceptors provides us with a superior knowledge of options and accessories often required with grease interceptors. We can expertly provide any of the following options: dosing pump, enzyme port, high level alarm, multiple inlet and outlet ports, sediment bucket and threaded connections.

Made in the USA

T&C plastic grease and oil interceptors are made in the United States of America and meet the requirements of the Buy American Act.



Lifetime Warranty

T&C offers a limited warranty on all of our plastic grease and oil interceptors.

Multiple Inlet/Outlet Options

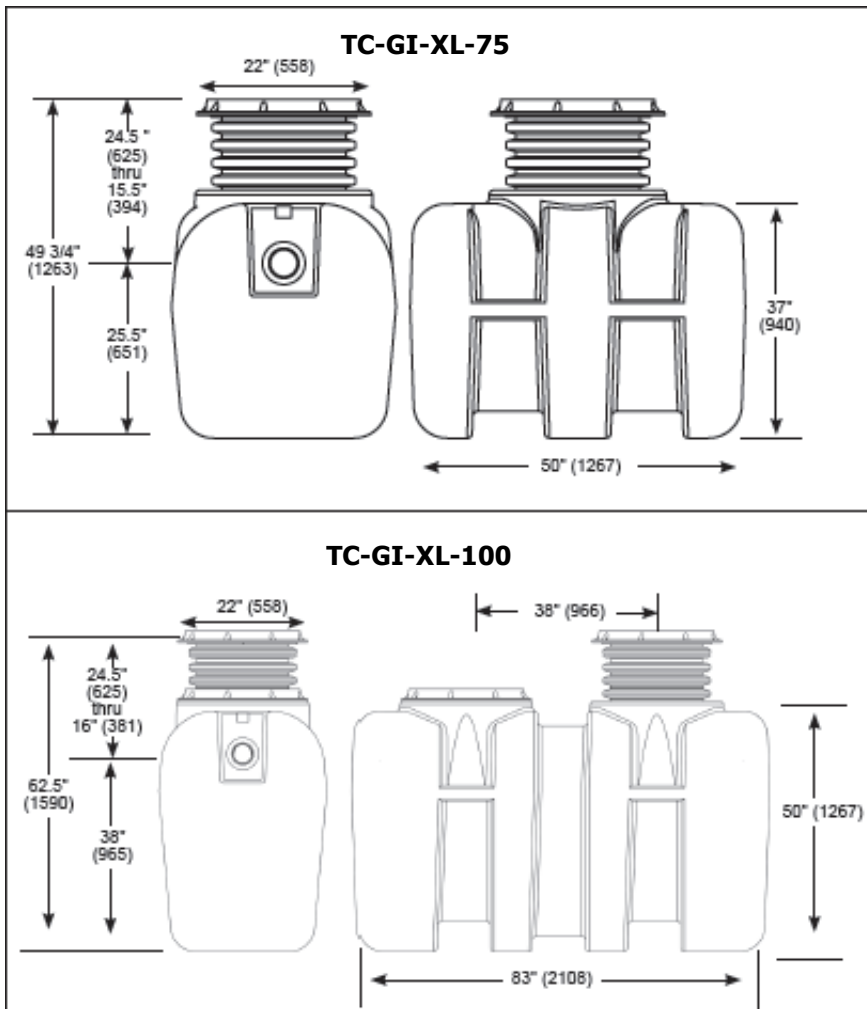
T&C interceptors are manufactured with two optional side inlets or outlets on both sides of the interceptor. This allows for straight through or side inlet/outlet pipe connections. (Specify required suffix for desired optional inlet/outlet).

T&C reserves the right to make changes in material and design without formal notice and obligation.



TOWN & COUNTRY PLASTICS

Customized For Precision



MODEL NUMBER	TC-GI-XL-75	TC-GI-XL-100
FLOW RATE (US Gallons Per Minute)	75	100
Grease Design CAPACITY (Pounds of Grease)	750	1,150
LIQUID CAPACITY (Gallons)	140	300
AVERAGE EF-FICIENCY % ASME A112.4.3	95%	96%
OPERATING TEMPERATURE CAPABILITIES	190° F	190° F
COVER LOAD CAPACITY AASHTO H20 (Pounds)	20,000	20,000
SHIPPING WEIGHT (Pounds)	150	275
CONNECTION SIZE (No Hub Connection)	4"	4"

Go to www.tandcplastics.com to download T&C Limited Lifetime Warranty.

Interceptors and Optional Variations

-AK	High water anchor kit (set of two) - for 75 GPM HDPE Int.
-AK	High water anchor kit (set of four) - for 100 GPM HDPE Int.
-C	Lid extension (specify "C" dimension req.) - for 75 GPM (This is up to a 44" high extension system)
-C+	Lid extension from 44" to 72" (specify "C" dimension req.) For 75 GPM HDPE Interceptors
-C+	Lid extension from 44" to 72" (specify "C" dimension req.) For 100 GPM HDPE Interceptors
-CL	Hold down brackets for lid (when installed above ground) For 75 GPM HDPE Interceptors
-CL	Hold down brackets for lid (when installed above ground) For 100 GPM HDPE Interceptors
-DCL	Direct Connect Lid For 75 GPM HDPE Interceptors
-DCL	Direct Connect Lid For 100 GPM HDPE Interceptors
-DI	Ductile Iron lid and collar - for 75 GPM HDPE Int.
-DI	Ductile Iron lid and collar - for 100 GPM HDPE Int.
-DP	Dosing pump
-EP	Enzyme port

SUFFIX	OPTIONAL VARIATIONS
-FL-C	Membrane clamp kit
-HLA	High level alarm
-LHSI	4" no hub inlet on left hand side
-LHSI6	6" no hub inlet on left hand side
-LHSO	4" no hub outlet on left hand side
-LHSO6	6" no hub outlet on left hand side
-OP	Internal flow control (does not meet PDI Standards)
-RHSI	4" no hub inlet on right hand side
-RHSI6	6" no hub inlet on right hand side
-RHSO	4" no hub outlet on right hand side
-RHSO6	6" no hub outlet on right hand side
-SB	Sediment bucket for 75 GPM Sediment bucket for 100 GPM
-SP	External sampling port
-T	Female threaded conn-(for each piece-2 pcs req. per Int.)
-F6	6" no hub inlet + outlet-(for each piece-2 pcs req. per Int.)

T&C reserves the right to make changes in material and design without formal notice and obligation.

10-B Timber Lane, Marlboro, NJ 07746 • (732) 780-5300 • FAX: (732) 294-0001 • www.tandcplastics.com