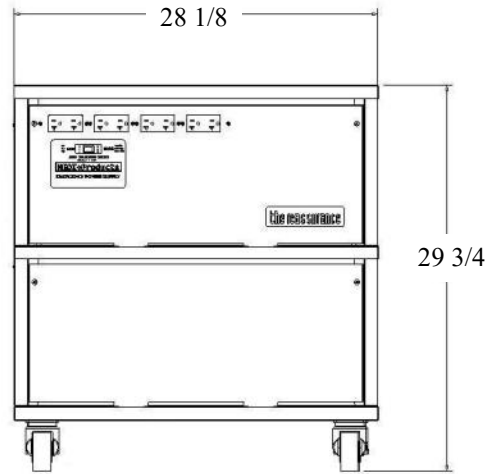


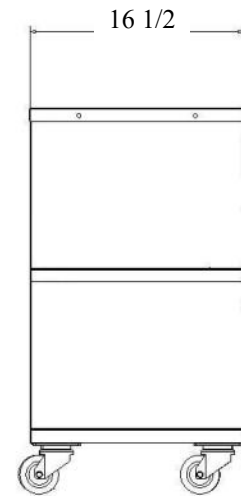


Model Number: MD2840-5060HZ



Specifications:

Electrical Input	115-268 VAC 40-60 HZ
Electrical Output (Watts)	2800
Surge Output	5000 watts
Electrical Output Power Type	120 VAC 60 HZ
Battery Capacity	400 amp hours
Number of Outlets	6 - 15 amp & 2 -20 amp
Waveform	Pure Sine
Input Plug	Specified for Location
Physical Size:	28.25 x 16.5 x 17.75
Approx. Shipping Weight	290 lbs
Use Type:	Input: Foreign Power Output: Domestic Appliances



MEDI+PRODUCTS

BACK-UP POWER SYSTEMS

Products by Medicatrix

231 Fields Lane
Suite B
Brewster, NY 10509
203-348-2886 ph
203-487-7423 fax
www.mediproducts.net