

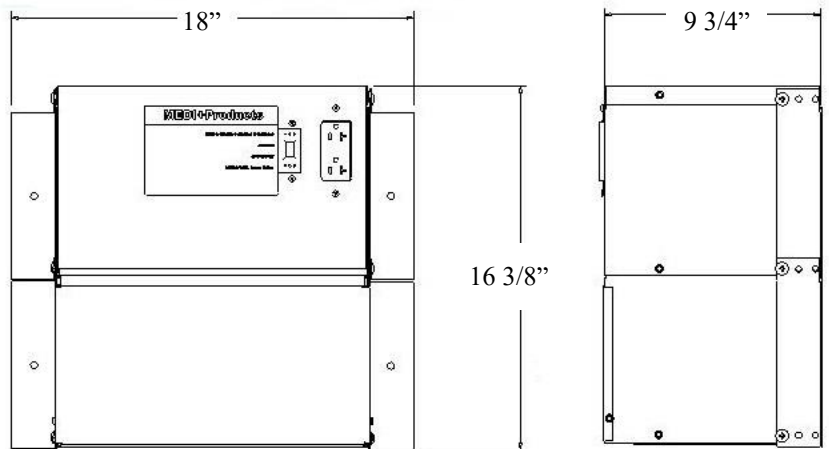
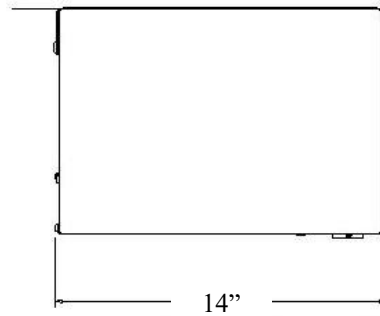
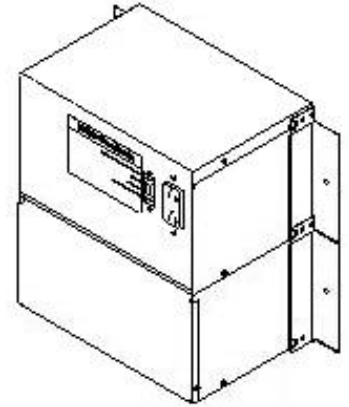


# Model Number: SAC S1210T

## Specifications:

Electrical Input	15 amp 120 volt power cord
Electrical Output (watts)	1250
Surge Output	2500 watts
Electrical Output (volts)	120 volts
Battery Capacity	100 amp hours
Number of Outlets	2 - 15 amp
Waveform	Modified Sine
Physical Size	14. x 16.375 x 9.62
Approx. Shipping Weight	163 lbs

Wall-mounting flanges are removable or reversible for semi-flush mounting



**MEDI+PRODUCTS**

**BACK-UP POWER SYSTEMS**

*Products by Medicanix*

30 Nurney Street  
 Stamford, CT 06902  
 203-348-2886 ph  
 203-487-7423 fax  
[www.mediproducts.net](http://www.mediproducts.net)  
[sales@mediproducts.net](mailto:sales@mediproducts.net)