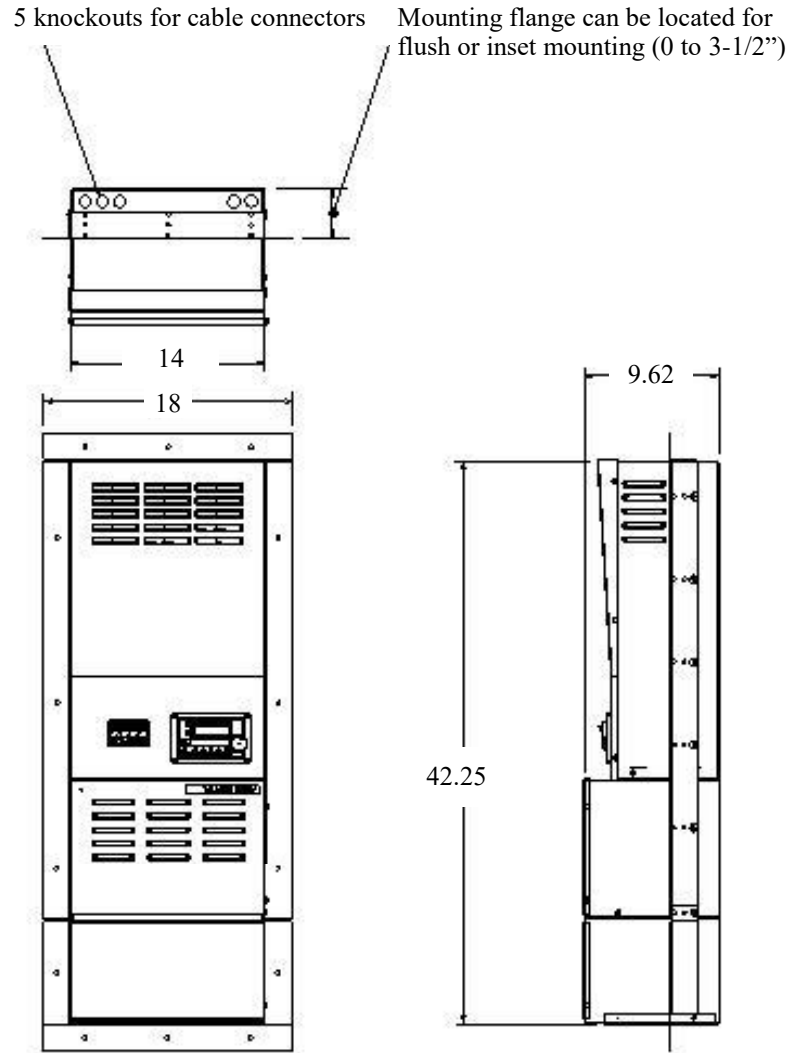




Model Number: SAC2020T

Specifications:

Power Cord	120 volt 15 Amp
Electrical Output (watts)	2000
Surge Output	4000 watts
Electrical Output (volts)	120 volts
Battery Capacity	200 amp hours
Number of Outlets	4 - 15 amp
Waveform	Modified
Physical Size	14 x 42.25 x 8.62
Approx. Shipping Weight	300 lbs



MEDI+PRODUCTS

BACK-UP POWER SYSTEMS

Products by Medicanix

231 Fields Lane
 Brewster, NY 10509
 203-348-2886 ph
 203-487-7423 fax
www.mediproducts.net
sales@mediproducts.net