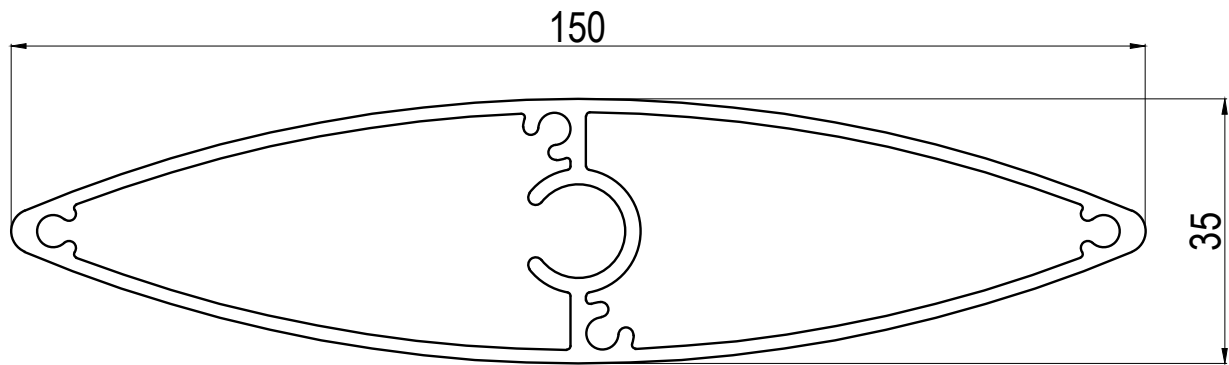


# AURORA™ 150-35 LOUVRE BLADE



## AU-LVR 150-35 - PROFILE

### Deflections/Spans for AU-LVR 150-35

Wind Zone	Self Weight	Low	Medium	High	Very High	Extra High
m/s KPa	0.0 m/s 0.0 KPa	32 m/s 0.88 KPa	37 m/s 1.18 KPa	44 m/s 1.68 KPa	50 m/s 2.17 KPa	55 m/s 2.63 KPa
Service load kn/m	0.019	0.107	0.149	0.231	0.304	0.364
Span m	Numbers in cells are deflections in mm					
3.2	3.92	22.16	30.96	47.91	63.11	75.66
3.3	4.43	25.06	35.01	54.19	71.38	85.57
3.4	4.99	28.24	39.45	61.06	80.43	96.43
3.5	5.60	31.71	44.30	68.57	90.32	108.28
3.6	6.27	35.50	49.58	76.75	101.10	121.20
3.7	7.00	39.61	55.33	85.64	112.81	135.23
3.8	7.79	44.07	61.56	95.28	125.50	150.46
<b>KEY:</b>	Light Grey shading = Acceptable span		Dark Grey shading = Over recommended span		Black shading = Unsafe	

\*Over Recommended Max Span' is the point at which Insol considers the deflection as 'unsightly'

\*Deflection values assume operable louvres in the closed position (therefore no porosity factor)

\*Deflection values assume simple support and do not take into account the integrity of any fixing.

\*Deflection values assume a horizontal louvre (not tilted)

\*Please contact Insol if your scenario is : Above 10m height, or is in a specific design location

SHORT FORM SPECIFICATION (CONTACT INSOL FOR FULL SPECIFICATION):

LOUVRE BLADE TYPE: Louvre blades to be Insol extruded aluminium profile AU-LVR 150-35, weighing 1.922 kg/lm.

FIXING METHOD: Louvre blades to be fixed / manually operable / motorised in accordance with architectural drawings and Insol technical literature.

FINISH: Louvre blades and associated support brackets to be anodised / powdercoated as specified by the Architect.

## AURORA™ 150-35 Technical Data Sheet



© 2012 All rights reserved  
Insol Ltd  
Ph: 0800 34 6000  
www.insolnz.co.nz

Scale: N.T.S.  
Date: 7/09/2015  
Page: 1 of 1

AU-LVR 150-35 Version 1